

CONTENTS:

PAGE

NON-POWERED ROLLER CONVEYORS / STRAIGHT SECTIONS, CURVED SECTIONS, SEPARATE-ROLLERS, FRAMING INFORMATION, LUMBER SECTIONS, CONCAVE ROLLER SECTIONS	5 - 39
---	---------------

CHAIN CONVEYOR ROLLERS w/SPROCKETS / FOR CHAIN CONVEYORS	40—41
--	--------------

BEARINGS AND ACCESSORIES / BEARINGS, SHOT SHIELDS, BEARING INSERTS	42—47
--	--------------

SUPPORTS AND ACCESSORIES / STATIONARY AND PORTABLE STANDARD SUPPORTS, KNEE BRACES, ANGLE AND CHANNEL FIXED POSITION GUARD RAILS	48—60
--	--------------

ROLLER	TUBE DESCRIPTION	BEARING NO. *	CAP/ROLL	STD. FRM.	OPTIONAL FRAMES **
1018-06	1" O.D. x 18 GA.	06	35-Lbs.	1H, 1L	2H/L, 3H/L, 5H/L, 6H/L
1418-08	1 3/8" O.D. x 18 GA.	08	50-Lbs.	1H, 1L	2H/L, 3H/L, 5H/L, 6H/L
1611-15	1 5/8" O.D. x 11 GA.	1500-D-LL	270-Lbs.	9H, 9L	4H/L, 5H/L, 6H/L, 7H/L, 8H/L, 12H/L, 13H/L
1611-50	1 5/8" O.D. x 11 GA.	50-D-LL-L-DZP-SL-GP-R	270-Lbs.	9H, 9L	4H/L, 5H/L, 6H/L, 7H/L, 8H/L, 12H/L, 13H/L
1909-20	1.9" O.D. x 9 GA.	20D-LL-PL	270-Lbs.	9H, 9L	4H/L, 5H/L, 6H/L, 7H/L, 8H/L, 12H/L, 13H/L
1909-21	1.9" O.D. x 9 GA.	21-LL	300-Lbs.	9H, 9L	4H/L, 5H/L, 6H/L, 7H/L, 8H/L, 12H/L, 13H/L
1909-50	1.9" O.D. x 9 GA.	50-D-LL-L-DZP-SD-SL-GP-R	270-Lbs.	9H, 9L	4H/L, 5H/L, 6H/L, 7H/L, 8H/L, 12H/L, 13H/L
1912-20	1.9" O.D. x 12 GA.	20D-LL-PL	270-Lbs.	9H, 9L	4H/L, 5H/L, 6H/L, 7H/L, 8H/L, 12H/L, 13H/L
1912-21	1.9" O.D. x 12 GA.	21-LL	300-Lbs.	9H, 9L	4H/L, 5H/L, 6H/L, 7H/L, 8H/L, 12H/L, 13H/L
1912-50	1.9" O.D. x 12 GA.	50-D-LL-L-DZP-SD-SL-GP-R	270-Lbs.	9H, 9L	4H/L, 5H/L, 6H/L, 7H/L, 8H/L, 12H/L, 13H/L
1916-05	1.9" O.D. x 16 GA.	05	200-Lbs.	9H, 9L	4H/L, 5H/L, 6H/L, 7H/L, 8H/L, 12H/L, 13H/L
1916-17	1.9" O.D. x 16 GA.	17-D-LL-PL	270-Lbs.	9H, 9L	4H/L, 5H/L, 6H/L, 7H/L, 8H/L, 12H/L, 13H/L
1916-50	1.9" O.D. x 16 GA.	50-D-LL-L-DZP-SD-SL-GP-R	270-Lbs.	9H, 9L	4H/L, 5H/L, 6H/L, 7H/L, 8H/L, 12H/L, 13H/L
2511-11	2 1/2" O.D. x 11 GA.	11-D-LL-PL	600-Lbs.	12H, 12L	10H/L, 11H/L, 14H/L, 15H/L
2511-50	2 1/2" O.D. x 11 GA.	50-D-LL-L-DZP-SD-SL-GP-R	270-Lbs.	12H, 12L	10H/L, 11H/L, 14H/L, 15H/L
2511-55	2 1/2" O.D. x 11 GA.	55-D-LL-L-DZP-SD-SL-GP-R	400-Lbs.	12H, 12L	10H/L, 11H/L, 14H/L, 15H/L
2514-15	2 1/2" O.D. x 14 GA.	15-D-LL	270-Lbs.	9H, 9L	4H, 5H, 6H, 7H, 8H, 12H/L, 13H/L
2514-50	2 1/2" O.D. x 14 GA.	50-D-LL-L-DZP-SD-SL-GP-R	270-Lbs.	9H, 9L	4H, 5H, 6H, 7H, 8H, 12H/L, 13H/L
2607-11	2 9/16" O.D. x 7 GA.	11-D-LL-PL	600-Lbs.	12H, 12L	10H/L, 11H/L, 14H/L, 15H/L
2607-13	2 9/16" O.D. x 7 GA.	13-D-14LL-14PL	600-Lbs.	12H, 12L	10H/L, 11H/L, 14H/L, 15H/L
2607-60	2 9/16" O.D. x 7 GA.	60-D-LL-DZP-SD-SL-HT-GP-R	600-Lbs.	12H, 12L	10H/L, 11H/L, 14H/L, 15H/L
2607-88120	2 9/16" O.D. x 7 GA.	88120	2400-Lbs.	12H, 12L	10H/L, 11H/L, 14H/L, 15H/L
3509-11	3 1/2" O.D. x 9 GA.	11-D-LL-PL	600-Lbs.	12H, 12L	14H, 15H/L
3509-55	3 1/2" O.D. x 9 GA.	55-D-LL-L-DZP-SD-SL-GP-R	600-Lbs.	12H, 12L	14H, 15H/L
3509-60	3 1/2" O.D. x 9 GA.	HT 60-D-LL-L-DZP-SD-SL-GP-R- HT	600-Lbs.	12H, 12L	14H, 15H/L
3530-70	3 1/2" O.D. x .300W	70-D-LL-L-DZP-SD-SL-HT-R	2000-Lbs.	16H, 16L	17H/L, 18H/L
3530-72XP	3 1/2" O.D. x .300W	72XP (88128)	6000-Lbs.	16H, 16L	17H/L, 18H/L
3530-FR	3 1/2" O.D. x .300W	FR-D-LL-PL	1040-Lbs.	16H, 16L	17H/L, 18H/L
4350-75	4 1/4" O.D. x .500W	75D-LL-PL	3600-Lbs.	19H/L, 20H/L	23H/L
5071-85	5" O.D. x .710W	85D-LL-PL	6000-Lbs.	21H/L, 22H/L	24H/L
FR16-17	1.9" S.E.O.D. x 16 GA.	17-D-LL-PL	270-Lbs.	9H	12H
STYLE A	CONCAVE	50-D-LL	270-Lbs.	5H, 6H, 7H, 8H	
STYLE A	CONCAVE	55-D-LL	400-Lbs.	5H, 6H, 7H, 8H	
STYLE B	CONCAVE	50-D-LL	270-Lbs.	5H, 6H, 7H, 8H	
STYLE B	CONCAVE	55-D-LL	400-Lbs.	5H, 6H, 7H, 8H	
STYLE C	CONCAVE	50-D-LL	270-Lbs.	5H, 6H, 7H, 8H	
STYLE C	CONCAVE	55-D-LL	400-Lbs.	5H, 6H, 7H, 8H	
STYLE D	CONCAVE	50S	270-Lbs.	6H, 8H	
STYLE F	CONCAVE	50S	270-Lbs.	5H, 6H, 7H, 8H	
STYLE H	CONCAVE	50-D-LL	270-Lbs.	5H, 6H, 7H, 8H	
STYLE H	CONCAVE	55-D-LL	400-Lbs.	5H, 6H, 7H, 8H	

* The first bearing number & suffix is the standard. Other bearing suffixes are options.

** Underlined frame styles are not available for differential roller sections.

H = Rollers Set High L = Roller Set Low

****Roller Assemblies with Semi-Precision Bearings also available.*****

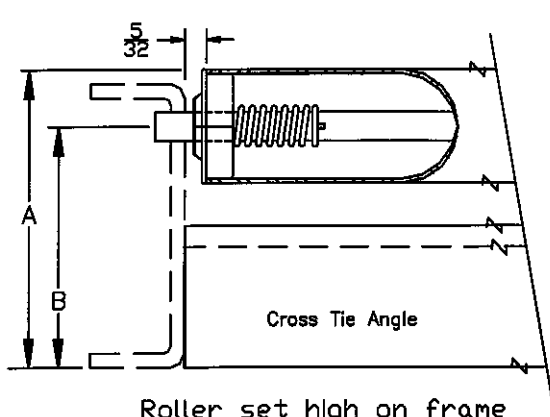
Flanged Roller Assemblies, Line Shaft Roller Assemblies and other types of Special Roller Assemblies are available on Customer Request.

BEARING NUMBER SUFFIX INTERPRETATIONS

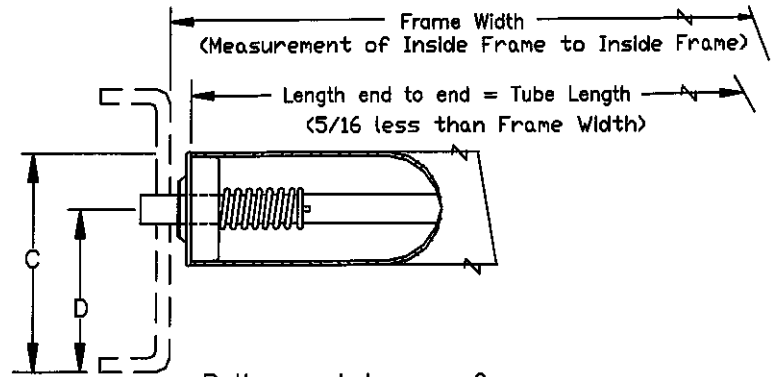
None	Plain Oiled	L	Pressure Lubricated
D	Dust Protected	LL	Lube-for-Life
DZP	Dust Protected with Zinc Plating	PL	Pressure Lubricated (11,14,20 Series Bearings)
SD	Dust Protected with Shot Shield	SL	Pressure Lubricated with Shot Shields
GP	Grease Packed	88128	Heavy Duty Precision Lube-for-Life
		88120	Heavy Duty Precision Lube-for-Life
		72XP	Heavy Duty Precision Lube-for-Life
HT	Heat Treated	R	Round Bore

FRAME NUMBER INTERPRETATIONS.....

1	2 1/2" x 1" #12 Ga. Formed Channel	13	4" x 1 1/4" #10 Ga. Formed Channel
2	2 1/2" x 2" x 3/16" Angle (toe in)	14	4" x 3" x 5/16" Angle (toe in)
3	2 1/2" x 2" x 3/16" Angle (toe out)	15	4" x 3" x 5/16" Angle (toe out)
4	3" @ 4.1# Structural Channel	16	6" @ 8.2# Structural Channel
5	3" x 2" x 3/16" Angle (toe in)	17	6" x 4" x 1/2" Angle (toe in)
6	3" x 2" x 3/16" Angle (toe out)	18	6" x 4" x 1/2" Angle (toe out)
7	3" x 2" x 1/4" Angle (toe in)	19	7" x 4" x 1/2" Angle (toe in)
8	3" x 2" x 1/4" Angle (toe out)	20	7" x 4" x 1/2" Angle (toe out)
9	3 1/2" x 1 1/4" #10 Ga. Formed Channel	21	7" x 4" x 3/4" Angle (toe in)
10	3 1/2" x 2 1/2" x 1/4" Angle (toe in)	22	7" x 4" x 3/4" Angle (toe out)
11	3 1/2" x 2 1/2" x 1/4" Angle (toe out)	23	8" @ 13.75# Structural Channel
12	4" @ 5.4# Structural Channel	24	10" @ 30# Structural Channel



Roller set high on frame
Shown with #06 Brg.



Roller set low on frame
Cross Tie Angle not shown
Shown with #06 Brg.

TYPE	SIDE RAIL (Type) *	SIDE RAIL (Size) *	CROSS TIE ANGLE	T.O.R. HEIGHT	ROLLER FRAME GAUGE
1H	Channel	2 1/2" x 1" x 12 Ga.	1 1/4" x 1 1/4" x 3/16"	(A) 2 5/8"	(B) 2 1/8"
1L	Channel	2 1/2" x 1" x 12 Ga.	1 1/4" x 1 1/4" x 3/16"	(C) 1 15/16"	(D) 1 7/16"
2H**	Angle (Toe In)	2 1/2" x 2" x 3/16"	1 1/4" x 1 1/4" x 3/16"	(A) 2 5/8"	(B) 2 1/8"
2L**	Angle (Toe In)	2 1/2" x 2" x 3/16"	1 1/4" x 1 1/4" x 3/16"	(C) 1 15/16"	(D) 1 7/16"
3H**	Angle (Toe Out)	2 1/2" x 2" x 3/16"	1 1/4" x 1 1/4" x 3/16"	(A) 2 5/8"	(B) 2 1/8"
3L**	Angle (Toe Out)	2 1/2" x 2" x 3/16"	1 1/4" x 1 1/4" x 3/16"	(C) 1 15/16"	(D) 1 7/16"
5H**	Angle (Toe In)	3" x 2" x 3/16"	1 1/4" x 1 1/4" x 3/16"	(A) 3 1/8"	(B) 2 5/8"
5L**	Angle (Toe In)	3" x 2" x 3/16"	1 1/4" x 1 1/4" x 3/16"	(C) 2 1/8"	(D) 1 5/8"
6H**	Angle (Toe Out)	3" x 2" x 3/16"	1 1/4" x 1 1/4" x 3/16"	(A) 3 1/8"	(B) 2 5/8"
6L**	Angle (Toe Out)	3" x 2" x 3/16"	1 1/4" x 1 1/4" x 3/16"	(C) 2 1/8"	(D) 1 5/8"

** Alternate Frame

* Other Frame Options available on Customer request.

ROLLER #1018-06

ROLLER

1" O.D. x #18 Ga. welded steel tubing, 1/4" dia. shaft - spring retained. #06 Bearing. Roller rating - 35 lbs. per roller @ 30 1/4" Frame Width.

FRAME

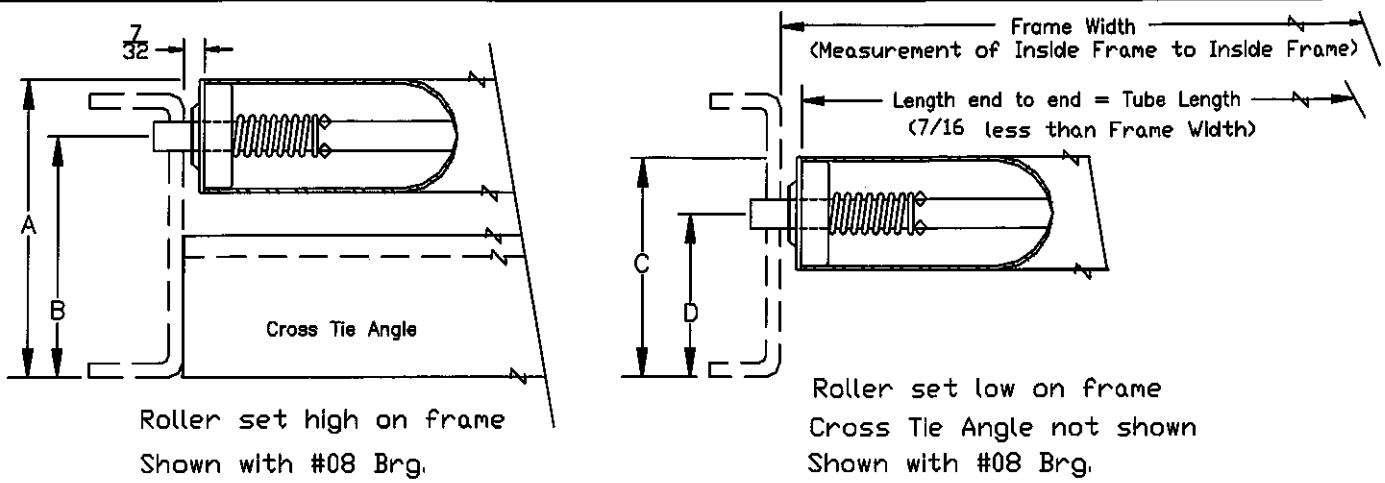
Standard Frame Widths are 8 1/4" to 30 1/4" in 2" increments. Standard in 5' & 10' lengths. Rollers available on 1 1/8", 1 1/2" 3", 4 1/2" or 6" centers.

ORDERING

For complete section: Roller/Bearing/Frame Style/Frame Width/Roller Centers/Length. (Example: 1018-06-1H-16 1/4"-1 1/8"-10')

For roller only: Roller/Bearing/Frame Width/Frame Thickness. (Example: 1018-06-16 1/4"-1/8")

> Frame Width Measurement = Inside Frame to Inside Frame <



TYPE	SIDE RAIL	SIDE RAIL	CROSS TIE ANGLE	T.O.R. HEIGHT	ROLLER FRAME GAUGE
1H	Channel	2 1/2" x 1" x 12 Ga.	1 1/4" x 1 1/4" x 3/16"	(A) 2 13/16"	(B) 2 1/8"
1L	Channel	2 1/2" x 1" x 12 Ga.	1 1/4" x 1 1/4" x 3/16"	(C) 2 1/8"	(D) 1 7/16"
2H**	Angle (Toe In)	2 1/2" x 2" x 3/16"	1 1/4" x 1 1/4" x 3/16"	(A) 2 13/16"	(B) 2 1/8"
2L**	Angle (Toe In)	2 1/2" x 2" x 3/16"	1 1/4" x 1 1/4" x 3/16"	(C) 2 1/8"	(D) 1 7/16"
3H**	Angle (Toe Out)	2 1/2" x 2" x 3/16"	1 1/4" x 1 1/4" x 3/16"	(A) 2 13/16"	(B) 2 1/8"
3L**	Angle (Toe Out)	2 1/2" x 2" x 3/16"	1 1/4" x 1 1/4" x 3/16"	(C) 2 1/8"	(D) 1 7/16"
5H**	Angle (Toe In)	3" x 2" x 3/16"	1 1/4" x 1 1/4" x 3/16"	(A) 3 5/16"	(B) 2 5/8"
5L**	Angle (Toe In)	3" x 2" x 3/16"	1 1/4" x 1 1/4" x 3/16"	(C) 2 5/16"	(D) 1 5/8"
6H**	Angle (Toe Out)	3" x 2" x 3/16"	1 1/4" x 1 1/4" x 3/16"	(A) 3 5/16"	(B) 2 5/8"
6L**	Angle (Toe Out)	3" x 2" x 3/16"	1 1/4" x 1 1/4" x 3/16"	(C) 2 5/16"	(D) 1 5/8"

** Alternate Frame

* Other Frame Options available on Customer request.

ROLLER

#1418-08

ROLLER

1 3/8" O.D. x #18 Ga. welded steel tubing. 1/4" dia. shaft - spring retained. #08 Bearing. Roller rating - 50 lbs. per roller @ 22" Frame Width.

FRAME

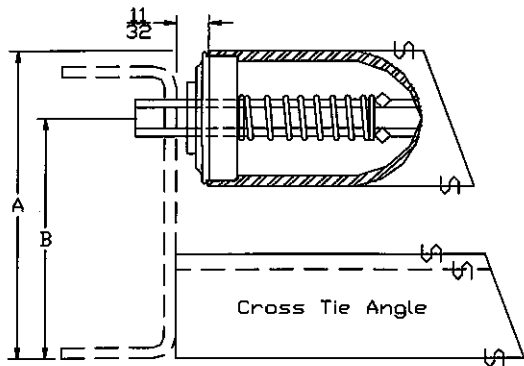
Standard Frame Widths are 10" to 22" in 2" increments. Standards in 5' & 10' lengths. Rollers available on 1 1/2", 3", 4 1/2" or 6" centers.

ORDERING

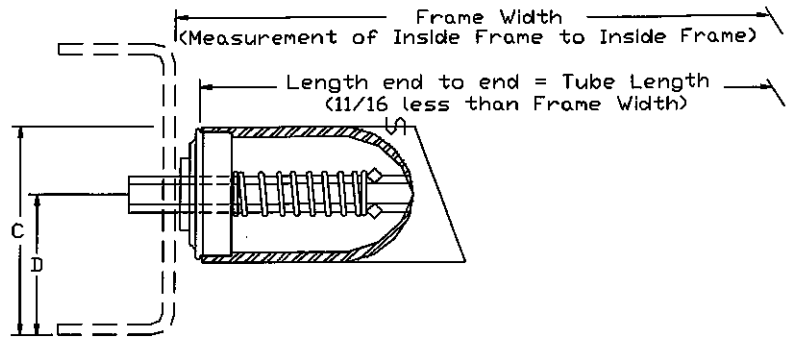
For complete section: Roller/Bearing/Frame Style/Frame Width/Roller Centers/Length.
REF: 1418-08-1H-20 1/4"-1 1/4"-10'

For roller only:
Roller/Bearing/Frame Width/Frame Thickness.
REF: 1418-08-20 1/4"-1/8"

> Frame Width Measurement = Inside Frame to Inside Frame <



Roller set high on frame
Shown with #15D Brg.



Roller set low on frame
Shown with #15D Brg.
Cross Tie Angle not shown

TYPE	SIDE RAIL (Type) *	SIDE RAIL (Size) *	CROSS TIE	T.O.R.	ROLLER
9H	Channel	3 1/2" x 1 1/4" x 10 Ga.	1 1/4" x 1 1/4" x 3/16"	(A) 3 11/16"	(B) 2 7/8"
9L	Channel	3 1/2" x 1 1/4" x 10 Ga.	1 1/4" x 1 1/4" x 3/16"	(C) 2 3/8"	(D) 1 9/16"
4H**	Channel	3" Channel @ 4.1 #	1 1/4" x 1 1/4" x 3/16"	(A) 3 1/16"	(B) 2 1/4"
4L**	Channel	3" Channel @ 4.1 #	1 1/4" x 1 1/4" x 3/16"	(C) 2 3/8"	(D) 1 9/16"
5H**	Angle (Toe In)	3" x 2" x 3/16"	1 1/4" x 1 1/4" x 3/16"	(A) 3 3/16"	(B) 2 3/8"
5L**	Angle (Toe In)	3" x 2" x 3/16"	1 1/4" x 1 1/4" x 3/16"	(C) 2 7/16"	(D) 1 5/8"
6H**	Angle (Toe Out)	3" x 2" x 3/16"	1 1/4" x 1 1/4" x 3/16"	(A) 3 3/16"	(B) 2 3/8"
6L**	Angle (Toe Out)	3" x 2" x 3/16"	1 1/4" x 1 1/4" x 3/16"	(C) 2 7/16"	(D) 1 5/8"
7H**	Angle (Toe In)	3" x 2" x 1/4"	1 1/4" x 1 1/4" x 3/16"	(A) 3 3/16"	(B) 2 3/8"
7L**	Angle (Toe In)	3" x 2" x 1/4"	1 1/4" x 1 1/4" x 3/16"	(C) 2 7/16"	(D) 1 5/8"
8H**	Angle (Toe Out)	3" x 2" x 1/4"	1 1/4" x 1 1/4" x 3/16"	(A) 3 3/16"	(B) 2 3/8"
8L**	Angle (Toe Out)	3" x 2" x 1/4"	1 1/4" x 1 1/4" x 3/16"	(C) 2 7/16"	(D) 1 5/8"
12H**	Channel	4" Channel	1 1/2" x 1 1/2" x 3/16"	(A) 4 1/16"	(B) 3 1/4"
12L**	Channel	4" Channel	1 1/2" x 1 1/2" x 3/16"	(C) 2 7/8"	(D) 2 1/16"
13H**	Channel	4" x 1 1/4" x	1 1/4" x 1 1/4" x 3/16"	(A) 4 3/16"	(B) 3 3/8"
13L**	Channel	4" x 1 1/4" x	1 1/4" x 1 1/4" x 3/16"	(C) 2 7/8"	(D) 2 1/16"

** Alternate Frame

* Other Frame Options available on Customer request.

➔ Other Shaft Options Available.

ROLLER

#1611-15

ROLLER

1 5/8" O.D. x #11 Ga. welded steel tubing. 7/16" hex. shaft - spring retained. #15D Bearing
Roller rating - 270 lbs. per roller.

FRAME

Standard Frame Widths are 2 1/4" to 36 1/4" in 2" increments.
Standard in 5' & 10' lengths.
Rollers available on 2", 3", 4", 4 1/2", 5", 6", 8", 9", 10" or 12" centers.

ORDERING

For complete section: Roller/Bearing/Frame Style/Frame Width/Roller Centers/Length.

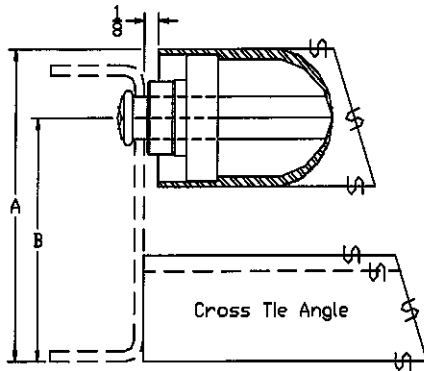
Ref: 1611-15D-9H-24 1/4"-6"-10'

For roller only:

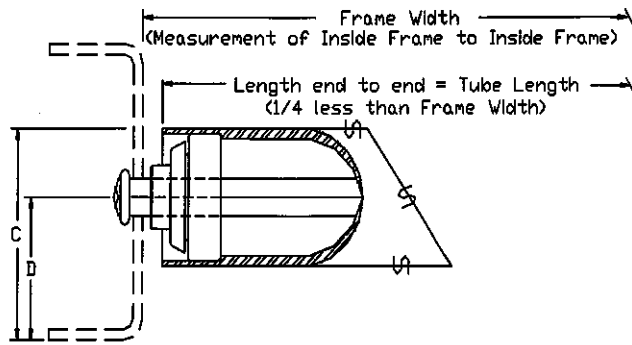
Roller/Bearing/Frame Width/Frame Thickness.

Ref: 1611-15D-24 1/4"-1/8"

> Frame Width Measurement = Inside Frame to Inside Frame <



Roller set high on frame
Shown with #50 Brg.



Roller set low on frame
Shown with #50D Brg.
Cross Tie Angle not shown

Bearing Options:
#50D Dust Protected
#50GP Grease Packed
#50LL Lubed For Life

TYPE	SIDE RAIL (Type) ★	SIDE RAIL (Size) ★	CROSS TIE ANGLE	T.O.R. HEIGHT	ROLLER FRAME GA.
9H	Channel	3 1/2" x 1 1/4" x 10 Ga.	1 1/4" x 1 1/4" x 3/16"	(A) 3 11/16"	(B) 2 7/8"
9L	Channel	3 1/2" x 1 1/4" x 10 Ga.	1 1/4" x 1 1/4" x 3/16"	(C) 2 3/8"	(D) 1 9/16"
4H**	Channel	3" @ 4.1 lbs.	1 1/4" x 1 1/4" x 3/16"	(A) 3 1/16"	(B) 2 1/4"
4L**	Channel	3" @ 4.1 lbs.	1 1/4" x 1 1/4" x 3/16"	(C) 2 3/8"	(D) 1 9/16"
5H**	Angle (Toe In)	3" x 2" x 3/16"	1 1/4" x 1 1/4" x 3/16"	(A) 3 3/16"	(B) 2 3/8"
5L**	Angle (Toe In)	3" x 2" x 3/16"	1 1/4" x 1 1/4" x 3/16"	(C) 2 7/16"	(D) 1 5/8"
6H**	Angle (Toe Out)	3" x 2" x 3/16"	1 1/4" x 1 1/4" x 3/16"	(A) 3 3/16"	(B) 2 3/8"
6L**	Angle (Toe Out)	3" x 2" x 3/16"	1 1/4" x 1 1/4" x 3/16"	(C) 2 7/16"	(D) 1 5/8"
7H**	Angle (Toe In)	3" x 2" x 1/4"	1 1/4" x 1 1/4" x 3/16"	(A) 3 3/16"	(B) 2 3/8"
7L**	Angle (Toe In)	3" x 2" x 1/4"	1 1/4" x 1 1/4" x 3/16"	(C) 2 7/16"	(D) 1 5/8"
8H**	Angle (Toe Out)	3" x 2" x 1/4"	1 1/4" x 1 1/4" x 3/16"	(A) 3 3/16"	(B) 2 3/8"
8L**	Angle (Toe Out)	3" x 2" x 1/4"	1 1/4" x 1 1/4" x 3/16"	(C) 2 7/16"	(D) 1 5/8"
12H**	Channel	4" @ 5.4 lbs.	1 1/2" x 1 1/2" x 3/16"	(A) 4 1/16"	(B) 3 1/4"
12L**	Channel	4" @ 5.4 lbs.	1 1/2" x 1 1/2" x 3/16"	(C) 2 7/8"	(D) 2 1/16"
13H**	Channel	4" x 1 1/4" x 10 Ga.	1 1/4" x 1 1/4" x 3/16"	(A) 4 3/16"	(B) 3 3/8"
13L**	Channel	4" x 1 1/4" x 10 Ga.	1 1/4" x 1 1/4" x 3/16"	(C) 2 7/8"	(D) 2 1/16"

** Alternate Frame

★ Other Frame Options available on Customer request.

ROLLER

#1611-50

ROLLER

1 5/8" O.D. x #11 Ga. welded steel tubing. 7/16" hex. shaft - ring retained. #50 Bearing
Roller rating - 270 lbs. per roller.

FRAME

Standard Frame Widths are 2 1/4" to 36 1/4" in 2" increments.
Standard in 5' & 10' lengths.
Rollers available on 2", 3", 4", 4 1/2", 5", 6", 8", 9", 10" or 12" centers.

ORDERING

For complete section: Roller/
Bearing/Frame Style/Frame Width/
Roller Centers/Length.

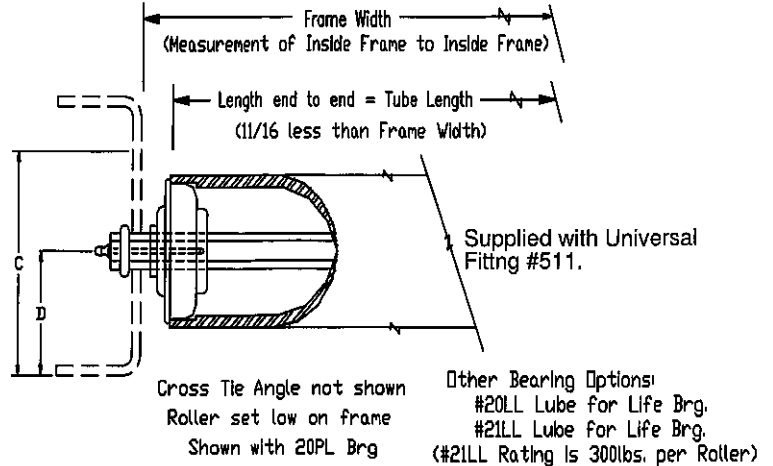
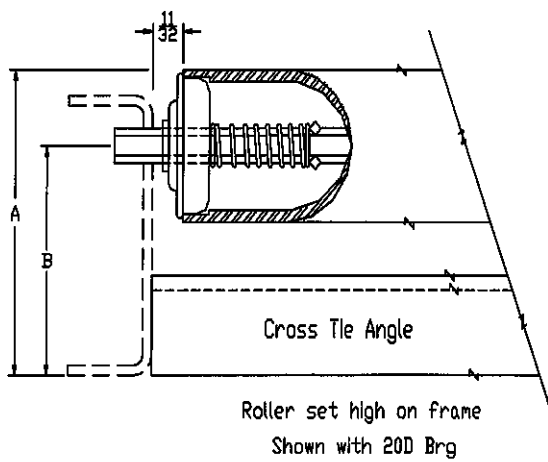
REF: 1611-50-9H-24 1/4"-6"-10'

For roller only:

Roller/Bearing/Frame Width/
Frame Thickness.

REF: 1611-50-24 1/4"-1/8"

> Frame Width Measurement = Inside
Frame to Inside Frame <



TYPE	SIDE RAIL (Type) *	SIDE RAIL (Size) *	CROSS TIE ANGLE	T.O.R. HEIGHT	ROLLER FRAME GA.
9H	Channel	3 1/2" x 1 1/4" x 10 Ga.	1 1/4" x 1 1/4" x 3/16"	(A) 3 13/16"	(B) 2 7/8"
9L	Channel	3 1/2" x 1 1/4" x 10 Ga.	1 1/4" x 1 1/4" x 3/16"	(C) 2 1/2"	(D) 1 9/16"
4H**	Channel	3" Channel @ 4.1 #	1 1/4" x 1 1/4" x 3/16"	(A) 3 3/16"	(B) 2 1/4"
4L**	Channel	3" Channel @ 4.1 #	1 1/4" x 1 1/4" x 3/16"	(C) 2 1/2"	(D) 1 9/16"
5H**	Angle (Toe In)	3" x 2" x 3/16"	1 1/4" x 1 1/4" x 3/16"	(A) 3 5/16"	(B) 2 3/8"
5L**	Angle (Toe In)	3" x 2" x 3/16"	1 1/4" x 1 1/4" x 3/16"	(C) 2 9/16"	(D) 1 5/8"
6H**	Angle (Toe Out)	3" x 2" x 3/16"	1 1/4" x 1 1/4" x 3/16"	(A) 3 5/16"	(B) 2 3/8"
6L**	Angle (Toe Out)	3" x 2" x 3/16"	1 1/4" x 1 1/4" x 3/16"	(C) 2 9/16"	(D) 1 5/8"
7H**	Angle (Toe In)	3" x 2" x 1/4"	1 1/4" x 1 1/4" x 3/16"	(A) 3 5/16"	(B) 2 3/8"
7L**	Angle (Toe In)	3" x 2" x 1/4"	1 1/4" x 1 1/4" x 3/16"	(C) 2 9/16"	(D) 1 5/8"
8H**	Angle (Toe Out)	3" x 2" x 1/4"	1 1/4" x 1 1/4" x 3/16"	(A) 3 5/16"	(B) 2 3/8"
8L**	Angle (Toe Out)	3" x 2" x 1/4"	1 1/4" x 1 1/4" x 3/16"	(C) 2 9/16"	(D) 1 5/8"
12H**	Channel	4" Channel @ 5.4 #	1 1/2" x 1 1/2" x 3/16"	(A) 4 3/16"	(B) 3 1/4"
12L**	Channel	4" Channel @ 5.4 #	1 1/2" x 1 1/2" x 3/16"	(C) 3"	(D) 2 1/16"
13H**	Channel	4" x 1 1/4" x 10 Ga.	1 1/2" x 1 1/2" x 3/16"	(A) 4 5/16"	(B) 3 3/8"
13L**	Channel	4" x 1 1/4" x 10 Ga.	1 1/2" x 1 1/2" x 3/16"	(C) 3"	(D) 2 1/16"

** Alternate Frame

* Other Frame Options available on Customer request.

ROLLER #1909-20

ROLLER

1.9" O.D. x #9 Ga. welded steel tubing. 7/16" hex. shaft - ring retained. #20D Bearing (standard). Roller rating - 270 lbs. per roller.

FRAME

Standard Frame Widths are: 10 1/4" to 48 1/4" in 2" increments. Standard in 5' & 10' lengths. Rollers available on 2", 3", 4", 6", 8", or 12" centers.

ORDERING

For complete section: Roller/Bearing/Frame Style/Frame Width/Roller Centers/Length.

REF: 1909-20D-9H-24 1/4"-6"-10'

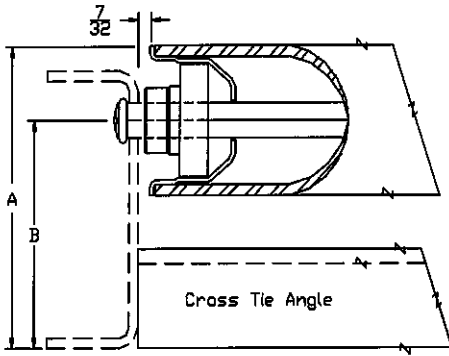
For roller only: Roller/Bearing/Frame Width/Frame Thickness.

REF: 1909-20D-24 1/4"-1/8"

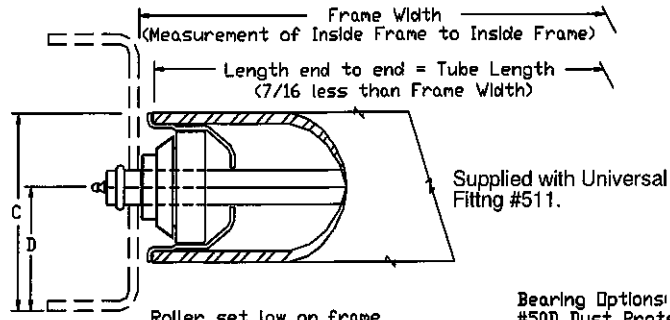
NOTE

Roller Assemblies with Semi-Precision Bearings, also available

> Frame Width Measurement = Inside Frame to Inside frame <



Roller set high on frame
Shown with #50 Brg. & 19LC Cup



Roller set low on frame
Shown with #50D Brg., 19LC Cup & 19LS Seal
Cross Tie Angle not shown

Bearing Options:
#50D Dust Protected
#50GP Grease Packed
#50LL Lubed For Life
#50L Pressure Lubricated

TYPE	SIDE RAIL (Type) ★	SIDE RAIL (Size) ★	CROSS TIE ANGLE	T.O.R. HEIGHT	ROLLER FRAME GA.
9H	Channel	3 1/2" x 1 1/4" x 10 Ga.	1 1/4" x 1 1/4" x 3/16"	(A) 3 13/16"	(B) 2 7/8"
9L	Channel	3 1/2" x 1 1/4" x 10 Ga.	1 1/4" x 1 1/4" x 3/16"	(C) 2 1/2"	(D) 1 9/16"
4H**	Channel	3" Channel @ 4.1 #	1 1/4" x 1 1/4" x 3/16"	(A) 3 3/16"	(B) 2 1/4"
4L**	Channel	3" Channel @ 4.1 #	1 1/4" x 1 1/4" x 3/16"	(C) 2 1/2"	(D) 1 9/16"
5H**	Angle (Toe In)	3" x 2" x 3/16"	1 1/4" x 1 1/4" x 3/16"	(A) 3 5/16"	(B) 2 3/8"
5L**	Angle (Toe In)	3" x 2" x 3/16"	1 1/4" x 1 1/4" x 3/16"	(C) 2 9/16"	(D) 1 5/8"
6H**	Angle (Toe Out)	3" x 2" x 3/16"	1 1/4" x 1 1/4" x 3/16"	(A) 3 5/16"	(B) 2 3/8"
6L**	Angle (Toe Out)	3" x 2" x 3/16"	1 1/4" x 1 1/4" x 3/16"	(C) 2 9/16"	(D) 1 5/8"
7H**	Angle (Toe In)	3" x 2" x 1/4"	1 1/4" x 1 1/4" x 3/16"	(A) 3 5/16"	(B) 2 3/8"
7L**	Angle (Toe In)	3" x 2" x 1/4"	1 1/4" x 1 1/4" x 3/16"	(C) 2 9/16"	(D) 1 5/8"
8H**	Angle (Toe Out)	3" x 2" x 1/4"	1 1/4" x 1 1/4" x 3/16"	(A) 3 5/16"	(B) 2 3/8"
8L**	Angle (Toe Out)	3" x 2" x 1/4"	1 1/4" x 1 1/4" x 3/16"	(C) 2 9/16"	(D) 1 5/8"
12H**	Channel	4" Channel @ 5.4 #	1 1/2" x 1 1/2" x 3/16"	(A) 4 3/16"	(B) 3 1/4"
12L**	Channel	4" Channel @ 5.4 #	1 1/2" x 1 1/2" x 3/16"	(C) 3"	(D) 2 1/16"
13H**	Channel	4" x 1 1/4" x 10 Ga.	1 1/2" x 1 1/2" x 3/16"	(A) 4 5/16"	(B) 3 3/8"
13L**	Channel	4" x 1 1/4" x 10 Ga.	1 1/2" x 1 1/2" x 3/16"	(C) 3"	(D) 2 1/16"

** Alternate Frame

★ Other Frame Options available on Customer request.

ROLLER

#1909-50

ROLLER

1.9" O.D. x #9 Ga. welded steel tubing. 7/16" hex. shaft - ring retained. #50 Bearing (standard). Roller rating - 270 lbs. per roller.

FRAME

Standard Frame Widths are: 4 1/4" to 54 1/4" in 2" increments. Standard in 5' & 10' lengths. Rollers available on 2", 3", 4", 6", 8", 9", 10" or 12" centers.

ORDERING

For complete section: Roller/Bearing/Frame Style/Frame Width/Roller Centers/Length.

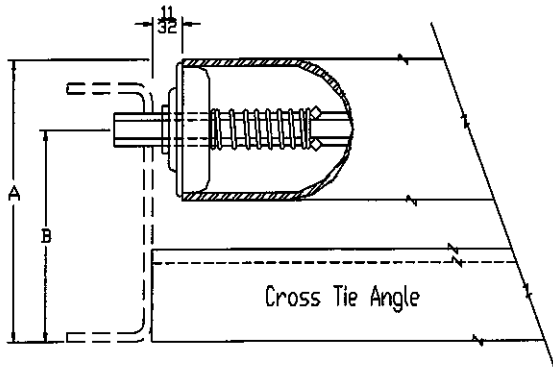
REF: 1909-50-9H-24 1/4"-6"-10'

For roller only:

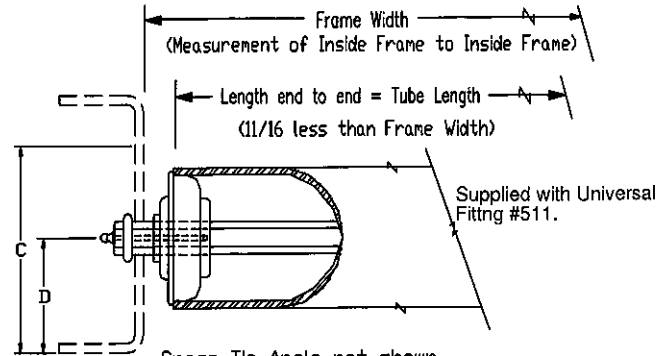
Roller/Bearing/Frame Width/Frame Thickness.

REF: 1909-50-24 1/4"-1/8"

> Frame Width Measurement = Inside Frame to Inside Frame <



Roller set high on frame
Shown with 20D Brg



Cross Tie Angle not shown
Roller set low on frame
Shown with 20PL Brg

TYPE	SIDE RAIL (Type) *	SIDE RAIL (Size) *	CROSS TIE	T.O.R.	ROLLER
9H	Channel	3 1/2" x 1 1/4" x 10 Ga.	1 1/4" x 1 1/4" x 3/16"	(A) 3 13/16"	(B) 2 7/8"
9L	Channel	3 1/2" x 1 1/4" x 10 Ga.	1 1/4" x 1 1/4" x 3/16"	(C) 2 1/2"	(D) 1 9/16"
4H**	Channel	3" Channel @ 4.1 #	1 1/4" x 1 1/4" x 3/16"	(A) 3 3/16"	(B) 2 1/4"
4L**	Channel	3" Channel @ 4.1 #	1 1/4" x 1 1/4" x 3/16"	(C) 2 1/2"	(D) 1 9/16"
5H**	Angle (Toe In)	3" x 2" x 3/16"	1 1/4" x 1 1/4" x 3/16"	(A) 3 5/16"	(B) 2 3/8"
5L**	Angle (Toe In)	3" x 2" x 3/16"	1 1/4" x 1 1/4" x 3/16"	(C) 2 9/16"	(D) 1 5/8"
6H**	Angle (Toe Out)	3" x 2" x 3/16"	1 1/4" x 1 1/4" x 3/16"	(A) 3 5/16"	(B) 2 3/8"
6L**	Angle (Toe Out)	3" x 2" x 3/16"	1 1/4" x 1 1/4" x 3/16"	(C) 2 9/16"	(D) 1 5/8"
7H**	Angle (Toe In)	3" x 2" x 1/4"	1 1/4" x 1 1/4" x 3/16"	(A) 3 5/16"	(B) 2 3/8"
7L**	Angle (Toe In)	3" x 2" x 1/4"	1 1/4" x 1 1/4" x 3/16"	(C) 2 9/16"	(D) 1 5/8"
8H**	Angle (Toe Out)	3" x 2" x 1/4"	1 1/4" x 1 1/4" x 3/16"	(A) 3 5/16"	(B) 2 3/8"
8L**	Angle (Toe Out)	3" x 2" x 1/4"	1 1/4" x 1 1/4" x 3/16"	(C) 2 9/16"	(D) 1 5/8"
12H**	Channel	4" Channel @ 5.4 #	1 1/2" x 1 1/2" x 3/16"	(A) 4 3/16"	(B) 3 1/4"
12L**	Channel	4" Channel @ 5.4 #	1 1/2" x 1 1/2" x 3/16"	(C) 3"	(D) 2 1/16"
13H**	Channel	4" x 1 1/4" x 10 Ga.	1 1/2" x 1 1/2" x 3/16"	(A) 4 5/16"	(B) 3 3/8"
13L**	Channel	4" x 1 1/4" x 10 Ga.	1 1/2" x 1 1/2" x 3/16"	(C) 3"	(D) 2 1/16"

** Alternate Frame

* Other Frame Options available on Customer request.

→ Other Shaft Options Available.

Other Bearing Options:
#20LL Lube for Life Brg.
#21LL Lube for Life Brg.
(#21LL Rating is 300lbs. per Roller)

ROLLER #1912-20

ROLLER

1.9" O.D. x #12 Ga. welded steel tubing.
7/16" hex. shaft - spring retained.
#20D Bearing (standard).
Roller rating - 270 lbs. per roller.

FRAME

Standard Frame Widths are:
10 1/4" to 48 1/4" in 2" increments.
Standard in 5' & 10' lengths.
Rollers available on 2", 3", 4", 6", 9"
or 12" centers.

ORDERING

For complete section: Roller/
Bearing/Frame Style/Frame Width/
Roller Centers/Length.

REF: 1912-20D-9H-24 1/4"-6"-10'

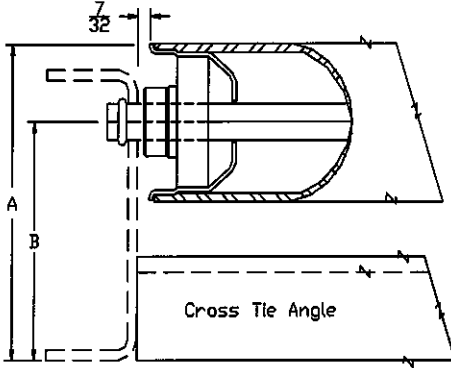
For roller only:
Roller/Bearing/Frame Width/
Frame Thickness.

REF: 1912-20D-24 1/4"-1/8"

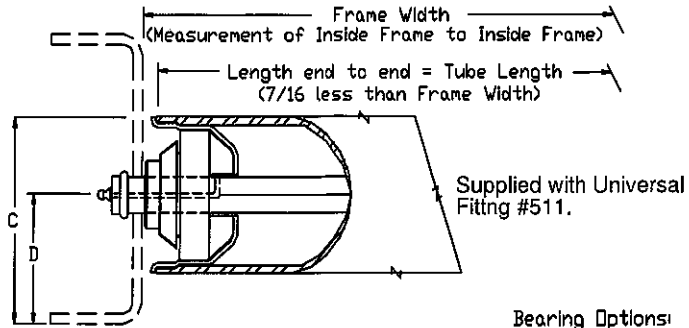
NOTE

Roller Assemblies with Semi-Precision
Bearings also available.

> Frame Width Measurement = Inside
Frame to Inside Frame <



Roller set high on frame
Shown with #50 Brg. & 19LC Cup



Roller set low on frame
Shown with #50D Brg., 19LC Cup & 19LS Seal
Cross Tie Angle not shown

Bearing Options:
#50D Dust Protected
#50GP Grease Packed
#50LL Lubed For Life
#50L Pressure Lubricated

TYPE	SIDE RAIL (Type) ★	SIDE RAIL (Size) ★	CROSS TIE	T.O.R.	ROLLER
9H	Channel	3 1/2" x 1 1/4" x 10 Ga.	1 1/4" x 1 1/4" x 3/16"	(A) 3 13/16"	(B) 2 7/8"
9L	Channel	3 1/2" x 1 1/4" x 10 Ga.	1 1/4" x 1 1/4" x 3/16"	(C) 2 1/2"	(D) 1 9/16"
4H**	Channel	3" Channel @ 4.1 #	1 1/4" x 1 1/4" x 3/16"	(A) 3 3/16"	(B) 2 1/4"
4L**	Channel	3" Channel @ 4.1 #	1 1/4" x 1 1/4" x 3/16"	(C) 2 1/2"	(D) 1 9/16"
5H**	Angle (Toe In)	3" x 2" x 3/16"	1 1/4" x 1 1/4" x 3/16"	(A) 3 5/16"	(B) 2 3/8"
5L**	Angle (Toe In)	3" x 2" x 3/16"	1 1/4" x 1 1/4" x 3/16"	(C) 2 9/16"	(D) 1 5/8"
6H**	Angle (Toe Out)	3" x 2" x 3/16"	1 1/4" x 1 1/4" x 3/16"	(A) 3 5/16"	(B) 2 3/8"
6L**	Angle (Toe Out)	3" x 2" x 3/16"	1 1/4" x 1 1/4" x 3/16"	(C) 2 9/16"	(D) 1 5/8"
7H**	Angle (Toe In)	3" x 2" x 1/4"	1 1/4" x 1 1/4" x 3/16"	(A) 3 5/16"	(B) 2 3/8"
7L**	Angle (Toe In)	3" x 2" x 1/4"	1 1/4" x 1 1/4" x 3/16"	(C) 2 9/16"	(D) 1 5/8"
8H**	Angle (Toe Out)	3" x 2" x 1/4"	1 1/4" x 1 1/4" x 3/16"	(A) 3 5/16"	(B) 2 3/8"
8L**	Angle (Toe Out)	3" x 2" x 1/4"	1 1/4" x 1 1/4" x 3/16"	(C) 2 9/16"	(D) 1 5/8"
12H**	Channel	4" Channel @ 5.4 #	1 1/2" x 1 1/2" x 3/16"	(A) 4 3/16"	(B) 3 1/4"
12L**	Channel	4" Channel @ 5.4 #	1 1/2" x 1 1/2" x 3/16"	(C) 3"	(D) 2 1/16"
13H**	Channel	4" x 1 1/4" x 10 Ga.	1 1/2" x 1 1/2" x 3/16"	(A) 4 5/16"	(B) 3 3/8"
13L**	Channel	4" x 1 1/4" x 10 Ga.	1 1/2" x 1 1/2" x 3/16"	(C) 3"	(D) 2 1/16"

** Alternate Frame

★ Other Frame Options available on Customer request.

➔ Other Shaft Options Available.

ROLLER #1912-50

ROLLER

1.9" O.D. x #12 Ga. welded steel tubing. 7/16" hex. shaft - ring retained.
#50 Bearing (standard).
Roller rating - 270 lbs. per roller.

FRAME

Standard Frame Widths are:
4 1/4" to 54 1/4" in 2" increments.
Standard in 5' & 10' lengths.
Rollers available on 2", 3", 4", 4 1/2", 5", 6", 8", 9", 10" or 12" centers.

ORDERING

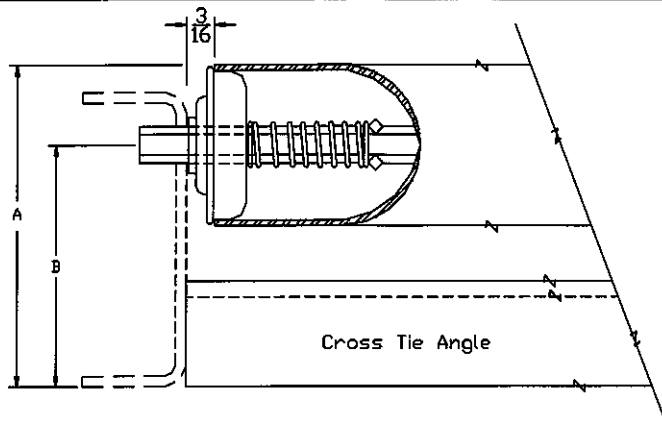
For complete section: Roller/
Bearing/Frame Style/Frame Width/
Roller Centers/Length.

REF: 1912-50-9H-24 1/4"-6"-10'

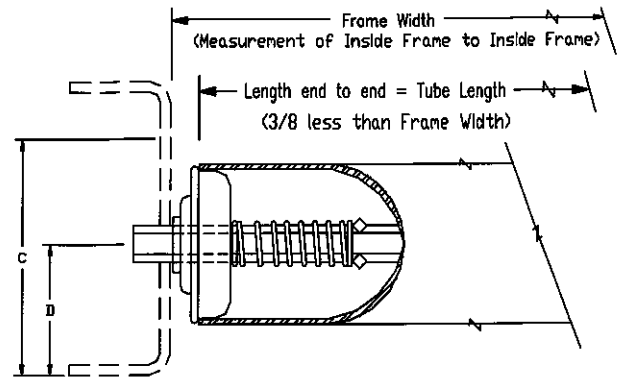
For roller only:
Roller/Bearing/Frame Width/Frame
Thickness.

REF: 1912-50-24 1/4"-1/8"

> Frame Width Measurement = Inside
Frame to Inside Frame <



Roller set high on frame
Shown with #05 Brg



Cross Tie Angle not shown
Roller set low on frame
Shown with #05 Brg

TYPE	SIDE RAIL (Type) *	SIDE RAIL (Size) *	CROSS TIE	T.O.R.	ROLLER
9H	Channel	3 1/2" x 1 1/4" x 10 Ga.	1 1/4" x 1 1/4" x 3/16"	(A) 3 13/16"	(B) 2 7/8"
9L	Channel	3 1/2" x 1 1/4" x 10 Ga.	1 1/4" x 1 1/4" x 3/16"	(C) 2 1/2"	(D) 1 9/16"
4H**	Channel	3" Channel @ 4.1 #	1 1/4" x 1 1/4" x 3/16"	(A) 3 3/16"	(B) 2 1/4"
4L**	Channel	3" Channel @ 4.1 #	1 1/4" x 1 1/4" x 3/16"	(C) 2 1/2"	(D) 1 9/16"
5H**	Angle (Toe In)	3" x 2" x 3/16"	1 1/4" x 1 1/4" x 3/16"	(A) 3 5/16"	(B) 2 3/8"
5L**	Angle (Toe In)	3" x 2" x 3/16"	1 1/4" x 1 1/4" x 3/16"	(C) 2 9/16"	(D) 1 5/8"
6H**	Angle (Toe Out)	3" x 2" x 3/16"	1 1/4" x 1 1/4" x 3/16"	(A) 3 5/16"	(B) 2 3/8"
6L**	Angle (Toe Out)	3" x 2" x 3/16"	1 1/4" x 1 1/4" x 3/16"	(C) 2 9/16"	(D) 1 5/8"
7H**	Angle (Toe In)	3" x 2" x 1/4"	1 1/4" x 1 1/4" x 3/16"	(A) 3 5/16"	(B) 2 3/8"
7L**	Angle (Toe In)	3" x 2" x 1/4"	1 1/4" x 1 1/4" x 3/16"	(C) 2 9/16"	(D) 1 5/8"
8H**	Angle (Toe Out)	3" x 2" x 1/4"	1 1/4" x 1 1/4" x 3/16"	(A) 3 5/16"	(B) 2 3/8"
8L**	Angle (Toe Out)	3" x 2" x 1/4"	1 1/4" x 1 1/4" x 3/16"	(C) 2 9/16"	(D) 1 5/8"
12H**	Channel	4" Channel @ 5.4 #	1 1/2" x 1 1/2" x 3/16"	(A) 4 3/16"	(B) 3 1/4"
12L**	Channel	4" Channel @ 5.4 #	1 1/2" x 1 1/2" x 3/16"	(C) 3"	(D) 2 1/16"
13H**	Channel	4" x 1 1/4" x 10 Ga.	1 1/2" x 1 1/2" x 3/16"	(A) 4 5/16"	(B) 3 3/8"
13L**	Channel	4" x 1 1/4" x 10 Ga.	1 1/2" x 1 1/2" x 3/16"	(C) 3"	(D) 2 1/16"

** Alternate Frame

* Other Frame Options available on Customer request.

➔ Other Shaft Options Available.

ROLLER #1916-05

ROLLER

1.9" O.D. x #16 Ga. welded steel tubing. 7/16" hex. shaft - spring retained. #05 Bearing (standard). Roller rating - 200 lbs. per roller.

FRAME

Standard Frame Widths are 10 1/4" to 48 1/4" in 2" increments. Standard in 5' & 10' lengths. Rollers available on 2", 3", 4", 6", 9" or 12" centers.

ORDERING

For complete section: Roller/
Bearing/Frame Style/Frame Width/
Roller Centers/Length.

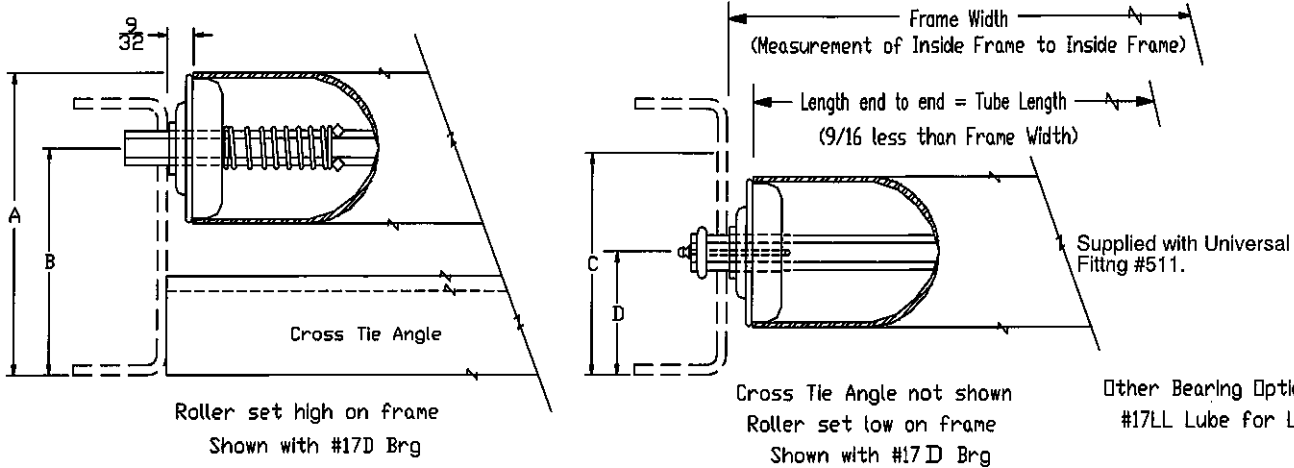
REF: 1916-05-9H-24 1/4"-6"-10'

For roller only:

Roller/Bearing/Frame Width/
Frame Thickness

REF: 1916-05-24 1/4"-3/16"

> Frame Width Measurement = Inside
Frame to Inside Frame <



TYPE	SIDE RAIL (Type) *	SIDE RAIL (Size) *	CROSS TIE ANGLE	T.O.R. HEIGHT	ROLLER FRAME GA.
9H	Channel	3 1/2" x 1 1/4" x 10 Ga.	1 1/4" x 1 1/4" x 3/16"	(A) 3 13/16"	(B) 2 7/8"
9L	Channel	3 1/2" x 1 1/4" x 10 Ga.	1 1/4" x 1 1/4" x 3/16"	(C) 2 1/2"	(D) 1 9/16"
4H**	Channel	3" Channel @ 4.1 #	1 1/4" x 1 1/4" x 3/16"	(A) 3 3/16"	(B) 2 1/4"
4L**	Channel	3" Channel @ 4.1 #	1 1/4" x 1 1/4" x 3/16"	(C) 2 1/2"	(D) 1 9/16"
5H**	Angle (Toe In)	3" x 2" x 3/16"	1 1/4" x 1 1/4" x 3/16"	(A) 3 5/16"	(B) 2 3/8"
5L**	Angle (Toe In)	3" x 2" x 3/16"	1 1/4" x 1 1/4" x 3/16"	(C) 2 9/16"	(D) 1 5/8"
6H**	Angle (Toe Out)	3" x 2" x 3/16"	1 1/4" x 1 1/4" x 3/16"	(A) 3 5/16"	(B) 2 3/8"
6L**	Angle (Toe Out)	3" x 2" x 3/16"	1 1/4" x 1 1/4" x 3/16"	(C) 2 9/16"	(D) 1 5/8"
7H**	Angle (Toe In)	3" x 2" x 1/4"	1 1/4" x 1 1/4" x 3/16"	(A) 3 5/16"	(B) 2 3/8"
7L**	Angle (Toe In)	3" x 2" x 1/4"	1 1/4" x 1 1/4" x 3/16"	(C) 2 9/16"	(D) 1 5/8"
8H**	Angle (Toe Out)	3" x 2" x 1/4"	1 1/4" x 1 1/4" x 3/16"	(A) 3 5/16"	(B) 2 3/8"
8L**	Angle (Toe Out)	3" x 2" x 1/4"	1 1/4" x 1 1/4" x 3/16"	(C) 2 9/16"	(D) 1 5/8"
12H**	Channel	4" Channel @ 5.4 #	1 1/2" x 1 1/2" x 3/16"	(A) 4 3/16"	(B) 3 1/4"
12L**	Channel	4" Channel @ 5.4 #	1 1/2" x 1 1/2" x 3/16"	(C) 3"	(D) 2 1/16"
13H**	Channel	4" x 1 1/4" x 10 Ga.	1 1/2" x 1 1/2" x 3/16"	(A) 4 5/16"	(B) 3 3/8"
13L**	Channel	4" x 1 1/4" x 10 Ga.	1 1/2" x 1 1/2" x 3/16"	(C) 3"	(D) 2 1/16"

** Alternate Frame

* Other Frame Options available on Customer request.

ROLLER #1916-17

ROLLER

1.9" O.D. x #16 Ga. welded steel tubing. 7/16" hex. shaft - spring retained. #17D Bearing (standard). Roller rating - 270 lbs. per roller.

FRAME

Standard Frame Widths are 10 1/4" to 48 1/4" in 2" increments. Standard in 5' & 10' lengths. Rollers available on 2", 3", 4", 6", 9" or 12" centers.

ORDERING

For complete section: Roller/Bearing/Frame Style/Frame Width/Roller Centers/Length.

REF: 1916-17D-9H-40 1/4"-3"-10'

For roller only:

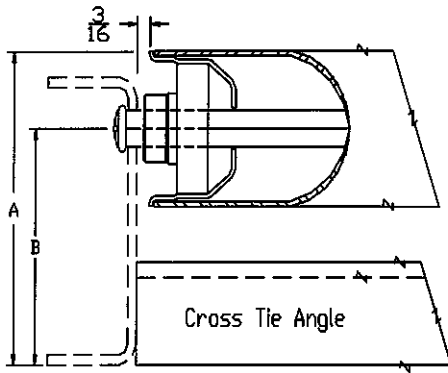
Roller/Bearing/Frame Width/Frame Thickness.

REF: 1916-17D-40 1/4"-1/8"

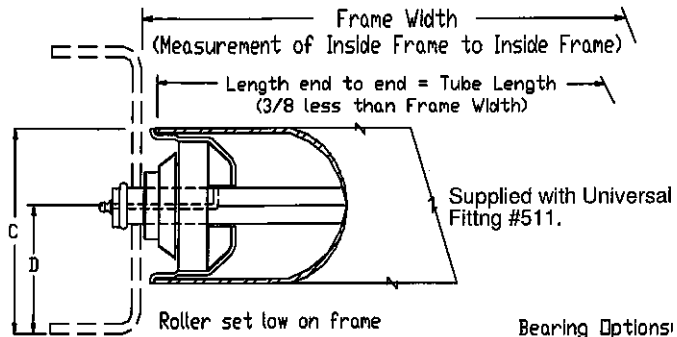
Note

Roller Assemblies also available with the ABEC series, or Semi-Precision series Bearings

> Frame Width Measurement = Inside Frame to Inside Frame <



Roller set high on frame
Shown with #50 Brg. & 196LC Cup



Roller set low on frame
Shown with #500 Brg, 196LC Cup & 19LS Seal
Cross Tie Angle not shown

Bearing Options:
#50D Dust Protected
#50GP Grease Packed
#50LL Lubed For Life
#50L Pressure Lubricated

TYPE	SIDE RAIL (Type) ★	SIDE RAIL (Size) ★	CROSS TIE ANGLE	T.O.R. HEIGHT	ROLLER FRAME GA.
9H	Channel	3 1/2" x 1 1/4" x 10 Ga.	1 1/4" x 1 1/4" x 3/16"	(A) 3 13/16"	(B) 2 7/8"
9L	Channel	3 1/2" x 1 1/4" x 10 Ga.	1 1/4" x 1 1/4" x 3/16"	(C) 2 1/2"	(D) 1 9/16"
4H**	Channel	3" Channel @ 4.1 #	1 1/4" x 1 1/4" x 3/16"	(A) 3 3/16"	(B) 2 1/4"
4L**	Channel	3" Channel @ 4.1 #	1 1/4" x 1 1/4" x 3/16"	(C) 2 1/2"	(D) 1 9/16"
5H**	Angle (Toe In)	3" x 2" x 3/16"	1 1/4" x 1 1/4" x 3/16"	(A) 3 5/16"	(B) 2 3/8"
5L**	Angle (Toe In)	3" x 2" x 3/16"	1 1/4" x 1 1/4" x 3/16"	(C) 2 9/16"	(D) 1 5/8"
6H**	Angle (Toe Out)	3" x 2" x 3/16"	1 1/4" x 1 1/4" x 3/16"	(A) 3 5/16"	(B) 2 3/8"
6L**	Angle (Toe Out)	3" x 2" x 3/16"	1 1/4" x 1 1/4" x 3/16"	(C) 2 9/16"	(D) 1 5/8"
7H**	Angle (Toe In)	3" x 2" x 1/4"	1 1/4" x 1 1/4" x 3/16"	(A) 3 5/16"	(B) 2 3/8"
7L**	Angle (Toe In)	3" x 2" x 1/4"	1 1/4" x 1 1/4" x 3/16"	(C) 2 9/16"	(D) 1 5/8"
8H**	Angle (Toe Out)	3" x 2" x 1/4"	1 1/4" x 1 1/4" x 3/16"	(A) 3 5/16"	(B) 2 3/8"
8L**	Angle (Toe Out)	3" x 2" x 1/4"	1 1/4" x 1 1/4" x 3/16"	(C) 2 9/16"	(D) 1 5/8"
12H**	Channel	4" Channel @ 5.4 #	1 1/2" x 1 1/2" x 3/16"	(A) 4 3/16"	(B) 3 1/4"
12L**	Channel	4" Channel @ 5.4 #	1 1/2" x 1 1/2" x 3/16"	(C) 3"	(D) 2 1/16"
13H**	Channel	4" x 1 1/4" x 10 Ga.	1 1/2" x 1 1/2" x 3/16"	(A) 4 5/16"	(B) 3 3/8"
13L**	Channel	4" x 1 1/4" x 10 Ga.	1 1/2" x 1 1/2" x 3/16"	(C) 3"	(D) 2 1/16"

** Alternate Frame

★ Other Frame Options available on Customer request.

➔ Other Shaft Options Available.

ROLLER

#1916-50

ROLLER

1.9" O.D. x #16 Ga. welded steel tubing. 7/16" hex. shaft - ring retained. #50 Bearing (standard). Roller rating - 270 lbs. per roller.

FRAME

Standard Frame Widths are: 4 1/4" to 54 1/4" in 2" increments. Standard in 5' & 10' lengths. Rollers available on 2", 3", 4", 4 1/2", 5", 6", 8", 9", 10" or 12" centers.

ORDERING

For complete section: Roller/Bearing/Frame Style/Frame Width/Roller Centers/Length.

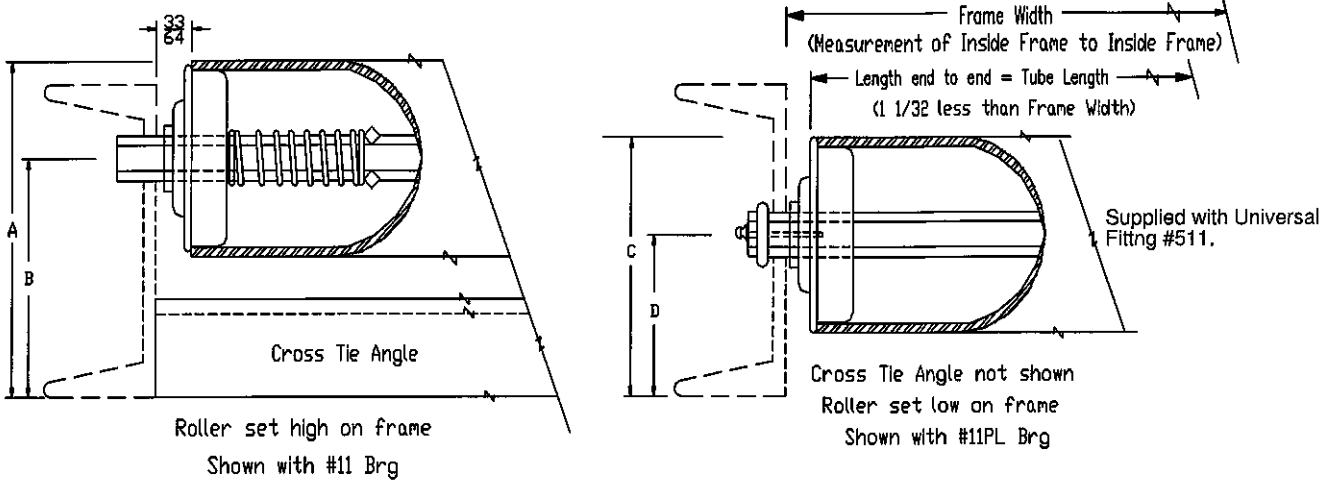
REF: 1916-50-9H-40 1/4"-3"-10'

For roller only:

Roller/Bearing/Frame Width/Frame Thickness.

REF: 1916-50-40 1/4"-1/8"

> Frame Width Measurement = Inside Frame to Inside Frame <



TYPE	SIDE RAIL (Type) ★	SIDE RAIL (Size) ★	CROSS TIE ANGLE	T.O.R. HEIGHT	ROLLER FRAME
12H	Channel	4" Channel @ 5.4 #	1 1/2" x 1 1/2" x 3/16"	(A) 4 5/16"	(B) 3 1/16"
12L	Channel	4" Channel @ 5.4 #	1 1/2" x 1 1/2" x 3/16"	(C) 3 5/16"	(D) 2 1/16"
10H**	Angle (Toe In)	3 1/2" x 2 1/2" x 1/4"	1 1/2" x 1 1/2" x 3/16"	(A) 4 1/8"	(B) 2 7/8"
10L**	Angle (Toe In)	3 1/2" x 2 1/2" x 1/4"	1 1/2" x 1 1/2" x 3/16"	(C) 3 1/16"	(D) 1 13/16"
11H**	Angle (Toe Out)	3 1/2" x 2 1/2" x 1/4"	1 1/2" x 1 1/2" x 3/16"	(A) 4 1/8"	(B) 2 7/8"
11L**	Angle (Toe Out)	3 1/2" x 2 1/2" x 1/4"	1 1/2" x 1 1/2" x 3/16"	(C) 3 1/16"	(D) 1 13/16"
14H**	Angle (Toe In)	4" x 3" x 5/16"	2" x 2" x 3/16"	(A) 4 5/16"	(B) 3 1/16"
14L**	Angle (Toe In)	4" x 3" x 5/16"	2" x 2" x 3/16"	(C) 3 5/16"	(D) 2 1/16"
15H**	Angle (Toe Out)	4" x 3" x 5/16"	2" x 2" x 3/16"	(A) 4 5/16"	(B) 3 1/16"
15L**	Angle (Toe Out)	4" x 3" x 5/16"	2" x 2" x 3/16"	(C) 3 5/16"	(D) 2 1/16"

Other Bearing Options:
#11D Dust Protected Brg.
#11LL Lube for Life Brg.
#11PL Pressure Lubed Brg.

ROLLER #2511-11

ROLLER

2 1/2" O.D. x #11 Ga. welded steel tubing. 1 1/16" hex. shaft - spring retained. #11 Bearing (standard). Roller rating - 600 lbs. per roller.

FRAME

Standard Frame Widths are:
4 1/4" to 72 1/4" in 2" increments
Standard in 5' & 10' lengths.
Rollers available on 3", 4", 4 1/2", 5", 6", 8", 9", 10" or 12" centers.

ORDERING

For complete section: Roller/
Bearing/Frame Style/Frame Width/
Roller Centers/Length.

REF: 2511-11-12H-48 1/4"-12"-10'

For roller only:

Roller/Bearing/Frame Width/
Frame Thickness.

REF: 2511-11-48 1/4"-3/16"

NOTE

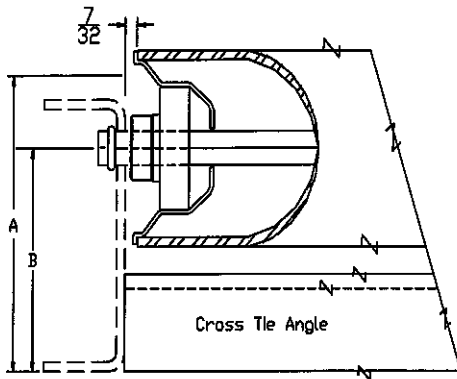
Roller Assemblies with Semi Precision Bearings also available.

> Frame Width Measurement = Inside Frame to Inside Frame <

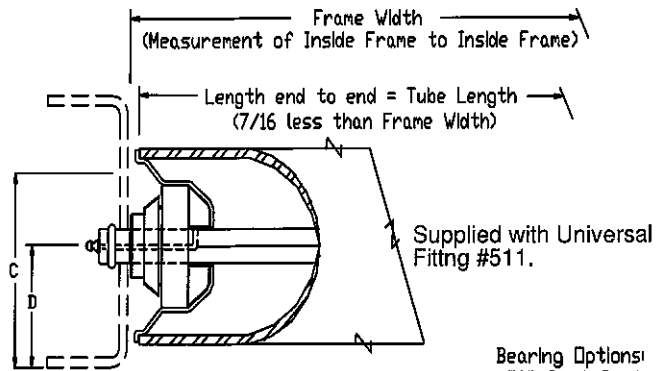
** Alternate Frame

★ Other Frame Options available on Customer request.

→ Other Shaft Options Available.



Roller set high on frame
Shown with #50 Brg. & 25LC Cup



Roller set low on frame
Shown with #50D Brg, 25LC Cup & 19LS Seal
Cross Tie Angle not shown

Supplied with Universal Fitting #511.

Bearing Options:
#50D Dust Protected
#50GP Grease Packed
#50LL Lubed For Life
#50L Pressure Lubricated

TYPE	SIDE RAIL (Type) *	SIDE RAIL (Size) *	CROSS TIE ANGLE	T.O.R. HEIGHT	ROLLER FRAME
9H	Channel	3 1/2" x 1 1/4" x 10 Ga.	1 1/4" x 1 1/4" x 3/16"	(A) 4 1/8"	(B) 2 7/8"
9L	Channel	3 1/2" x 1 1/4" x 10 Ga.	1 1/4" x 1 1/4" x 3/16"	(C) 2 13/16"	(D) 1 9/16"
4H**	Channel	3" Channel @ 4.1 #	1 1/4" x 1 1/4" x 3/16"	(A) 3 1/2"	(B) 2 1/4"
5H**	Angle (Toe In)	3" x 2" x 3/16"	1 1/4" x 1 1/4" x 3/16"	(A) 3 5/8"	(B) 2 3/8"
6H**	Angle (Toe Out)	3" x 2" x 3/16"	1 1/4" x 1 1/4" x 3/16"	(A) 3 5/8"	(B) 2 3/8"
7H**	Angle (Toe In)	3" x 2" x 1/4"	1 1/4" x 1 1/4" x 3/16"	(A) 3 5/8"	(B) 2 3/8"
8H**	Angle (Toe Out)	3" x 2" x 1/4"	1 1/4" x 1 1/4" x 3/16"	(A) 3 5/8"	(B) 2 3/8"
12H**	Channel	4" Channel @ 5.4 #	1 1/2" x 1 1/2" x 3/16"	(A) 4 1/2"	(B) 3 1/4"
12L**	Channel	4" Channel @ 5.4 #	1 1/2" x 1 1/2" x 3/16"	(C) 3 5/16"	(D) 2 1/16"
13H**	Channel	4" x 1 1/4" x 10 Ga.	1 1/2" x 1 1/2" x 3/16"	(A) 4 5/8"	(B) 3 3/8"
13L**	Channel	4" x 1 1/4" x 10 Ga.	1 1/2" x 1 1/2" x 3/16"	(C) 3 5/16"	(D) 2 1/16"

** Alternate Frame

* Other Frame Options available on Customer request.

→ Other Shaft Options Available.

ROLLER

#2511-50

ROLLER

2 1/2" O.D. x #11 Ga. welded steel tubing. 7/16" hex. shaft - ring retained.
#50 Bearing (standard).
Roller rating - 270 lbs. per roller.

FRAME

Standard Frame Widths are:
4 1/4" to 54 1/4" in 2" increments.
Standard in 5' & 10' lengths.
Rollers available on 3", 4", 4 1/2", 5", 6", 8", 9", 10" or 12" centers.

ORDERING

For complete section: Roller/
Bearing/Frame Style/Frame Width/
Roller Centers/Length.

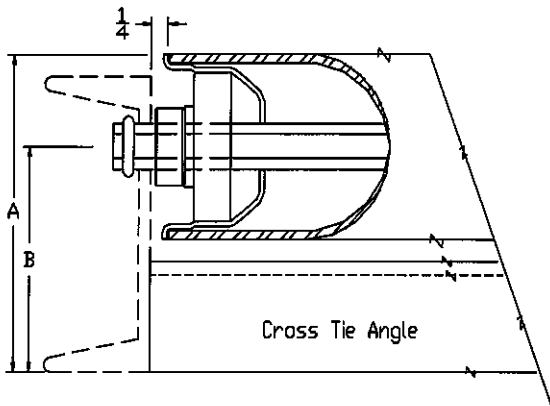
REF: 2511-50-9H-54 1/4"-16"-10'

For roller only:

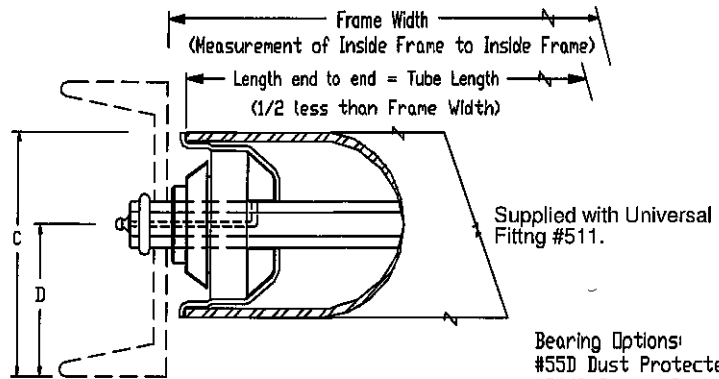
Roller/Bearing/Frame Width/
Frame Thickness.

REF: 2511-50-54 1/4"-1/8"

> Frame Width Measurement = Inside
Frame to Inside Frame <



Roller set high on frame
Shown with #55 Brg. & 255LC Cup



Roller set low on frame
Shown with #55D Brg., 255LC Cup & 255LS Seal
Cross Tie Angle not shown

Bearing Options:
#55D Dust Protected
#55GP Grease Packed
#55LL Lubed For Life
#55L Pressure Lubricated

TYPE	SIDE RAIL (Type) *	SIDE RAIL (Size) *	CROSS TIE ANGLE	T.O.R. HEIGHT	ROLLER FRAME
12H	Channel	4" Channel @ 5.4 #	11/2"x11/2"x 3/16"	(A) 4 5/16"	(B) 3 1/16"
12L	Channel	4" Channel @ 5.4 #	11/2"x11/2"x 3/16"	(C) 3 5/16"	(D) 2 1/16"
10H**	Angle (Toe In)	3 1/2" x 2 1/2" x 1/4"	11/2"x11/2"x 3/16"	(A) 4 1/8"	(B) 2 7/8"
10L**	Angle (Toe In)	3 1/2" x 2 1/2" x 1/4"	11/2"x11/2"x 3/16"	(C) 3 1/16"	(D) 1 13/16"
11H**	Angle (Toe Out)	3 1/2" x 2 1/2" x 1/4"	11/2"x11/2"x 3/16"	(A) 4 1/8"	(B) 2 7/8"
11L**	Angle (Toe Out)	3 1/2" x 2 1/2" x 1/4"	11/2"x11/2"x 3/16"	(C) 3 1/16"	(D) 1 13/16"
14H**	Angle (Toe In)	4" x 3" x 5/16"	2" x 2" x 3/16"	(A) 4 5/16"	(B) 3 1/16"
14L**	Angle (Toe In)	4" x 3" x 5/16"	2" x 2" x 3/16"	(C) 3 5/16"	(D) 2 1/16"
15H**	Angle (Toe Out)	4" x 3" x 5/16"	2" x 2" x 3/16"	(A) 4 5/16"	(B) 3 1/16"
15L**	Angle (Toe Out)	4" x 3" x 5/16"	2" x 2" x 3/16"	(C) 3 5/16"	(D) 2 1/16"

** Alternate Frame

* Other Frame Options available on Customer request.

→ Other Shaft Options Available.

ROLLER

#2511-55

ROLLER

2 1/2" O.D. x #11 Ga. welded steel tubing. 5/8" hex. shaft - ring retained. #55 Bearing (standard). Roller rating - 400 lbs. per roller.

FRAME

Standard Frame Widths are: 10 1/4" to 72 1/4" in 2" increments. Standard in 5' & 10' lengths. Rollers come on 3", 4", 4 1/2", 5", 6", 8", 9", 10" or 12" centers.

ORDERING

For complete section: Roller/Bearing/Frame Style/Frame Width/Roller Centers/Length.

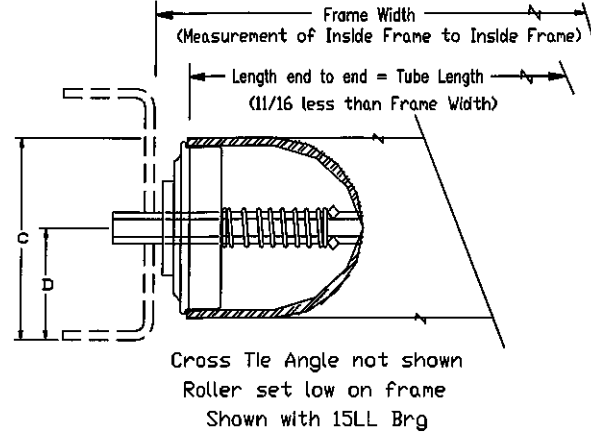
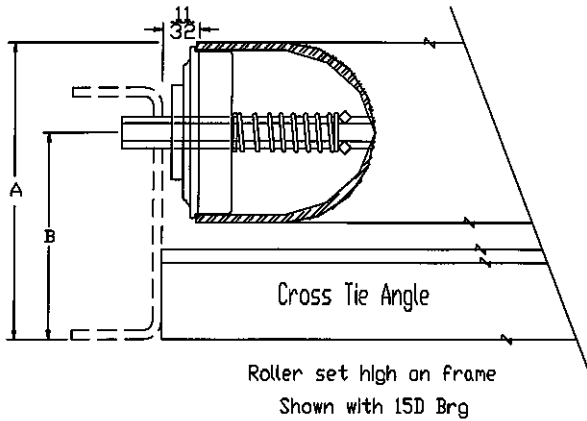
REF: 2511-55-12H-48 1/4"-12"-10'

For roller only:

Roller/Bearing/Frame Width/Frame Thickness.

REF: 2511-55-48 1/4"-3/16"

> Frame Width Measurement = Inside Frame to Inside Frame <



TYPE	SIDE RAIL (Type) ★	SIDE RAIL (Size) ★	CROSS TIE ANGLE	T.O.R. HEIGHT	ROLLER FRAME GAUGE
9H	Channel	3 1/2" x 1 1/4" x 10 Ga.	1 1/4" x 1 1/4" x 3/16"	(A) 4 1/8"	(B) 2 1/8"
9L	Channel	3 1/2" x 1 1/4" x 10 Ga.	1 1/4" x 1 1/4" x 3/16"	(C) 2 13/16"	(D) 1 9/16"
4H**	Channel	3" Channel @ 4.1 #	1 1/4" x 1 1/4" x 3/16"	(A) 3 1/2"	(B) 2 1/4"
5H**	Angle (Toe In)	3" x 2" x 3/16"	1 1/4" x 1 1/4" x 3/16"	(A) 3 5/8"	(B) 2 3/8"
6H**	Angle (Toe Out)	3" x 2" x 3/16"	1 1/4" x 1 1/4" x 3/16"	(A) 3 5/8"	(B) 2 3/8"
7H**	Angle (Toe In)	3" x 2" x 1/4"	1 1/4" x 1 1/4" x 3/16"	(A) 3 5/8"	(B) 2 3/8"
8H**	Angle (Toe Out)	3" x 2" x 1/4"	1 1/4" x 1 1/4" x 3/16"	(A) 3 5/8"	(B) 2 3/8"
12H**	Channel	4" Channel @ 5.4 #	1 1/2" x 1 1/2" x 3/16"	(A) 4 1/2"	(B) 3 1/4"
12L**	Channel	4" Channel @ 5.4 #	1 1/2" x 1 1/2" x 3/16"	(C) 3 5/16"	(D) 2 1/16"
13H**	Channel	4" x 1 1/4" x 10 Ga.	1 1/2" x 1 1/2" x 3/16"	(A) 4 5/8"	(B) 3 3/8"
13L**	Channel	4" x 1 1/4" x 10 Ga.	1 1/2" x 1 1/2" x 3/16"	(C) 3 5/16"	(D) 2 1/16"

** Alternate Frame

★ Other Frame Options available on Customer request.

➔ Other Shaft Options Available.

Additional Bearing Options:
#15LL Lubed For Life

ROLLER #2514-15

ROLLER

2 1/2" O.D. x #14 Ga. welded steel tubing. 7/16" hex. shaft - spring retained. #15D Bearing (standard). Roller rating - 270 lbs. per roller.

FRAME

Standard Frame Widths are:
10 1/4" to 48 1/4" in 2" increments.
Standard in 5' & 10' lengths.
Rollers available on 3", 4", 6", 8", 9" or 12" centers.

ORDERING

For complete section: Roller/
Bearing/Frame Style/Frame Width/
Roller Centers/Length.

REF: 2514-15D-9H-30 1/4"-10"-10'

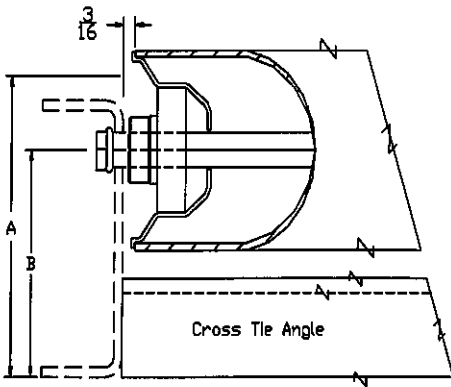
For roller only:

Roller/Bearing/Frame Width/
Frame Thickness.

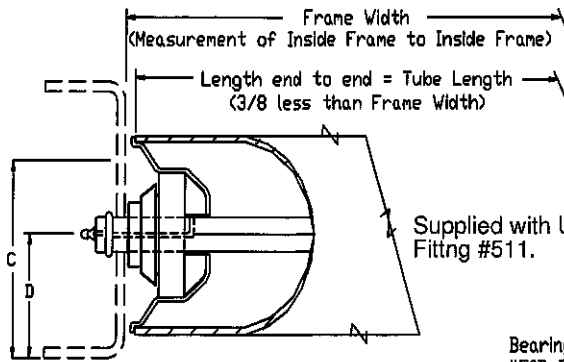
REF: 2514-15D-28 1/4"-1/8"

NOTE

Roller Assemblies with Semi-Precision Bearings also available.
> Frame Width Measurement = Inside Frame to Inside Frame <



Roller set high on frame
Shown with #50 Brg. & 25LCX Cup



Roller set low on frame
Shown with #50D Brg., 25LCX Cup & 19LS Seal
Cross Tie Angle not shown

Bearing Options:
#50D Dust Protected
#50GP Grease Packed
#50LL Lubed For Life
#50L Pressure Lubricated

TYPE	SIDE RAIL (Type) *	SIDE RAIL (Size) *	CROSS TIE ANGLE	T.O.R. HEIGHT	ROLLER FRAME GA.
9H	Channel	3 1/2" x 1 1/4" x 10 Ga.	1 1/4" x 1 1/4" x 3/16"	(A) 4 1/8"	(B) 2 7/8"
9L	Channel	3 1/2" x 1 1/4" x 10 Ga.	1 1/4" x 1 1/4" x 3/16"	(C) 2 13/16"	(D) 1 9/16"
4H**	Channel	3" Channel @ 4.1 #	1 1/4" x 1 1/4" x 3/16"	(A) 3 1/2"	(B) 2 1/4"
5H**	Angle (Toe In)	3" x 2" x 3/16"	1 1/4" x 1 1/4" x 3/16"	(A) 3 5/8"	(B) 2 3/8"
6H**	Angle (Toe Out)	3" x 2" x 3/16"	1 1/4" x 1 1/4" x 3/16"	(A) 3 5/8"	(B) 2 3/8"
7H**	Angle (Toe In)	3" x 2" x 1/4"	1 1/4" x 1 1/4" x 3/16"	(A) 3 5/8"	(B) 2 3/8"
8H**	Angle (Toe Out)	3" x 2" x 1/4"	1 1/4" x 1 1/4" x 3/16"	(A) 3 5/8"	(B) 2 3/8"
12H**	Channel	4" Channel @ 5.4 #	1 1/2" x 1 1/2" x 3/16"	(A) 4 1/2"	(B) 3 1/4"
12L**	Channel	4" Channel @ 5.4 #	1 1/2" x 1 1/2" x 3/16"	(C) 3 5/16"	(D) 2 1/16"
13H**	Channel	4" x 1 1/4" x 10 Ga.	1 1/2" x 1 1/2" x 3/16"	(A) 4 5/8"	(B) 3 3/8"
13L**	Channel	4" x 1 1/4" x 10 Ga.	1 1/2" x 1 1/2" x 3/16"	(C) 3 5/16"	(D) 2 1/16"

** Alternate Frame

* Other Frame Options available on Customer request.

→ Other Shaft Options Available.

ROLLER

#2514-50

ROLLER

2 1/2" O.D. x #14 Ga. welded steel tubing. 7/16" hex. shaft - ring retained. #50 Bearing (standard). Roller rating - 270 lbs. per roller.

FRAME

Standard Frame Widths are: 4 1/4" to 54 1/4" in 2" increments. Standard in 5' & 10' lengths. Rollers come on 3", 4", 4 1/2", 5", 6", 8", 9", 10" or 12" centers.

ORDERING

For complete section: Roller/Bearing/Frame Style/Frame Width/Roller Centers/Length.

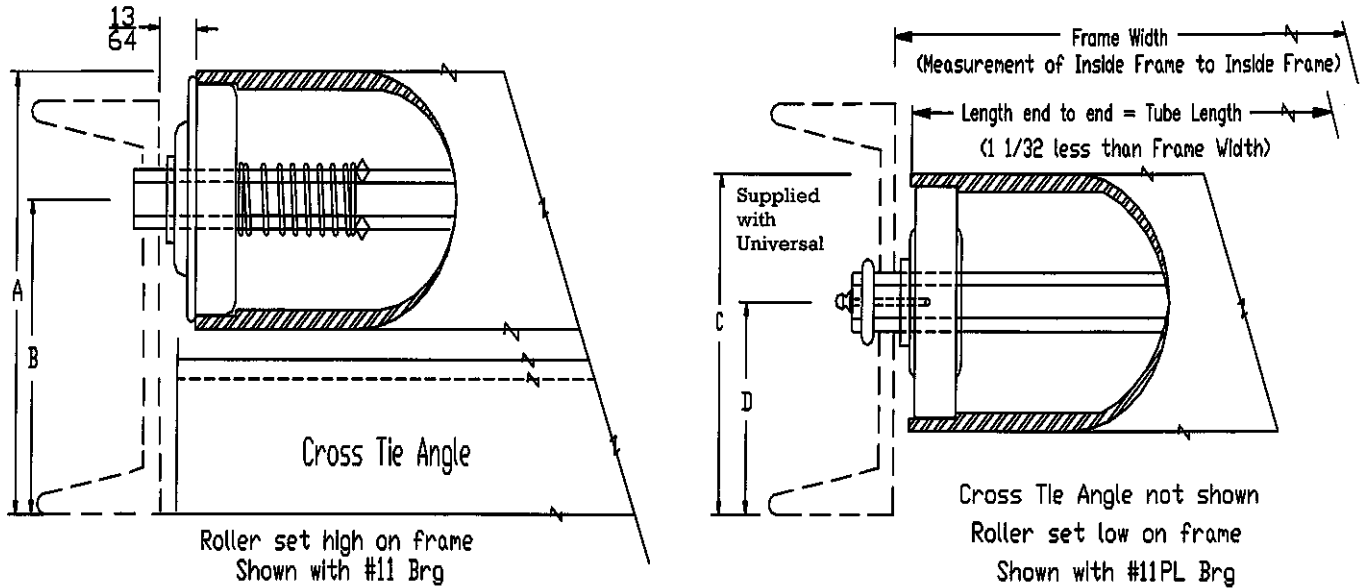
REF: 2514-50-9H-30 1/4"-10"-10'

For roller only:

Roller/Bearing/Frame Width/Frame Thickness.

REF: 2514-50L-28 1/4"-1/8"

> Frame Width Measurement = Inside Frame to Inside Frame <



TYPE	SIDE RAIL (Type) *	SIDE RAIL (Size) *	CROSS TIE ANGLE	T.O.R. HEIGHT	ROLLER FRAME GAUGE
12H	Channel	4" Channel @ 5.4 #	1 1/2" x 1 1/2" x 3/16"	(A) 4 11/32"	(B) 3 1/16"
12L	Channel	4" Channel @ 5.4 #	1 1/2" x 1 1/2" x 3/16"	(C) 3 11/32"	(D) 2 1/16"
10H**	Angle (Toe In)	3 1/2" x 2 1/2" x 1/4"	1 1/2" x 1 1/2" x 3/16"	(A) 4 5/32"	(B) 2 7/8"
10L**	Angle (Toe In)	3 1/2" x 2 1/2" x 1/4"	1 1/2" x 1 1/2" x 3/16"	(C) 3 3/32"	(D) 1 13/16"
11H**	Angle (Toe Out)	3 1/2" x 2 1/2" x 1/4"	1 1/2" x 1 1/2" x 3/16"	(A) 4 5/32"	(B) 2 7/8"
11L**	Angle (Toe Out)	3 1/2" x 2 1/2" x 1/4"	1 1/2" x 1 1/2" x 3/16"	(C) 3 3/32"	(D) 1 13/16"
14H**	Angle (Toe In)	4" x 3" x 5/16"	2" x 2" x 3/16"	(A) 4 11/32"	(B) 3 1/16"
14L**	Angle (Toe In)	4" x 3" x 5/16"	2" x 2" x 3/16"	(C) 3 11/32"	(D) 2 1/16"
15H**	Angle (Toe Out)	4" x 3" x 5/16"	2" x 2" x 3/16"	(A) 4 11/32"	(B) 3 1/16"
15L**	Angle (Toe Out)	4" x 3" x 5/16"	2" x 2" x 3/16"	(C) 3 11/32"	(D) 2 1/16"

** Alternate Frame

* Other Frame Options available on Customer request.

ROLLER #2607-11

ROLLER

2 9/16" O.D. x #7 Ga. welded steel tubing. 1 1/16" hex. shaft - spring retained. #11 Bearing (standard). Roller rating - 600 lbs. per roller.

FRAME

Standard Frame Widths are: 8 1/4" to 60 1/4" in 2" increments. Standard in 5' & 10' lengths. Rollers available on 3", 4", 6", 9" or 12" centers.

ORDERING

For complete section: Roller/Bearing/Frame Style/Frame Width/Roller Centers/Length.

REF: 2607-11-12H-22 1/4"-6"-10'

For roller only:

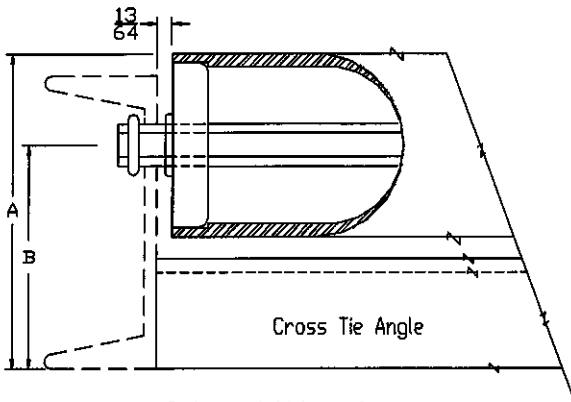
Roller/Bearing/Frame Width/Frame Thickness.

REF: 2607-11-22 1/4"-3/16"

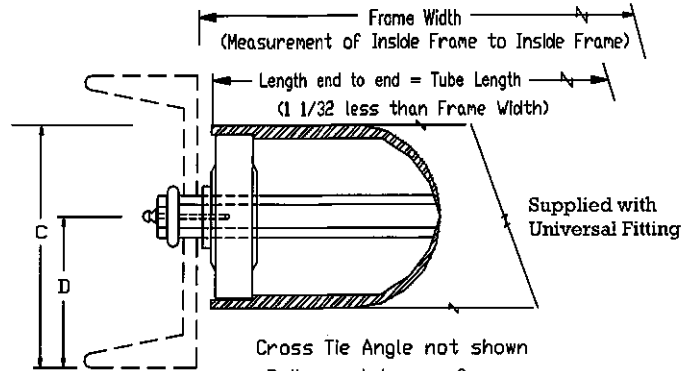
NOTE

Roller Assemblies with Semi-Precision Bearings also available.

> Frame Width Measurement = Inside Frame to Inside Frame <



Roller set high on frame
Shown with #13 Brg



Cross Tie Angle not shown
Roller set low on frame
Shown with #14PL Brg

Other Bearing Options:
#13D Dust Protected Brg.
#14LL Lube for Life Brg.
#14PL Pressure Lubed Brg.
(Minimum Frame Width for
"Pressure Lubed Roller" from 3 3/4")

TYPE	SIDE RAIL (Type) ★	SIDE RAIL (Size) ★	CROSS TIE ANGLE	T.O.R. HEIGHT	ROLLER FRAME
12H	Channel	4" Channel @ 5.4 #	11/2"x11/2"x 3/16"	(A) 4 11/32"	(B) 3 1/16"
12L	Channel	4" Channel @ 5.4 #	11/2"x11/2"x 3/16"	(C) 3 11/32"	(D) 2 1/16"
10H**	Angle (Toe In)	3 1/2" x 2 1/2" x 1/4"	11/2"x11/2"x 3/16"	(A) 4 5/32"	(B) 2 7/8"
10L**	Angle (Toe In)	3 1/2" x 2 1/2" x 1/4"	11/2"x11/2"x 3/16"	(C) 3 3/32"	(D) 1 13/16"
11H**	Angle (Toe Out)	3 1/2" x 2 1/2" x 1/4"	11/2"x11/2"x 3/16"	(A) 4 5/32"	(B) 2 7/8"
11L**	Angle (Toe Out)	3 1/2" x 2 1/2" x 1/4"	11/2"x11/2"x 3/16"	(C) 3 3/32"	(D) 1 13/16"
14H**	Angle (Toe In)	4" x 3" x 5/16"	2" x 2" x 3/16"	(A) 4 11/32"	(B) 3 1/16"
14L**	Angle (Toe In)	4" x 3" x 5/16"	2" x 2" x 3/16"	(C) 3 11/32"	(D) 2 1/16"
15H**	Angle (Toe Out)	4" x 3" x 5/16"	2" x 2" x 3/16"	(A) 4 11/32"	(B) 3 1/16"
15L**	Angle (Toe Out)	4" x 3" x 5/16"	2" x 2" x 3/16"	(C) 3 11/32"	(D) 2 1/16"

** Alternate Frame

★ Other Frame Options available on Customer request.

→ Other Shaft Options Available.

ROLLER

#2607-13

ROLLER

2 9/16" O.D. x #7 Ga. welded steel tubing. 11/16" hex. shaft - ring retained.
#13 Bearing (standard).
Roller rating - 600 lbs. per roller.

FRAME

Standard Frame Widths are:
8 1/4" to 60 1/4" in 2" increments.
Standard in 5' & 10' lengths.
Rollers available on 3", 4", 6", 9" or 12" centers.

ORDERING

For complete section: Roller/
Bearing/Frame Style/Frame Width/
Roller Centers/Length.

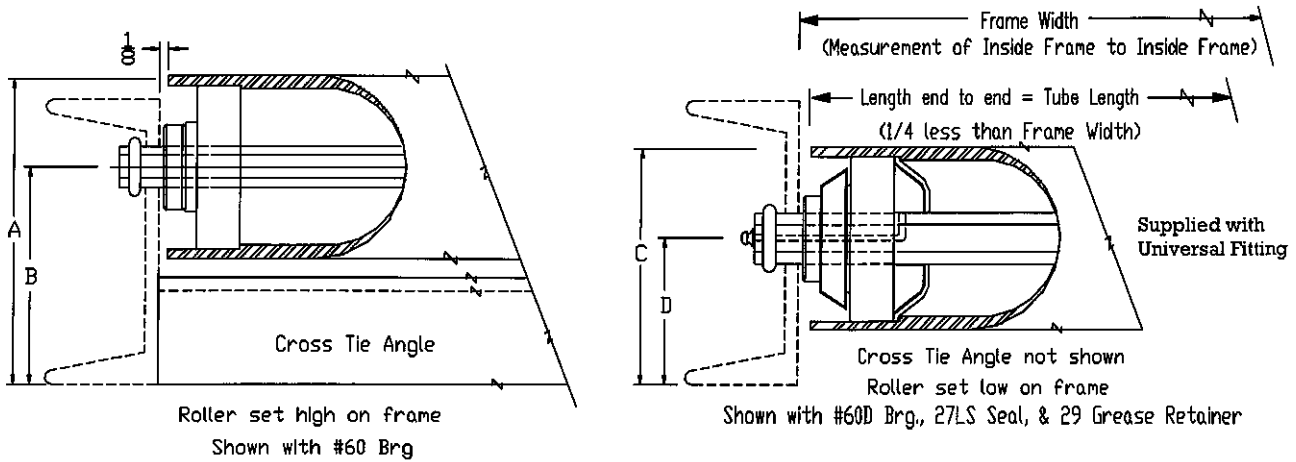
REF: 2607-13-12H-22 1/4"-6"-10'

For roller only:

Roller/Bearing/Frame Width/
Frame Thickness.

REF: 2607-13-22 1/4"-3/16"

> Frame Width Measurement = Inside
Frame to Inside Frame <



Other Bearing Options:
 #60D Dust Protected Brg.
 #60LL Lube for Life Brg.
 #60GP Grease Packed Brg.
 #60 L Pressure Lubed Brg.
 Minimum Frame Width for
 'Pressure Lube Roller' from 3 3/4"

TYPE	SIDE RAIL (Type) ★	SIDE RAIL (Size) ★	CROSS TIE ANGLE	T.O.R. HEIGHT	ROLLER FRAME
12H	Channel	4" Channel @ 5.4 #	11/2" x 11/2" x 3/16"	(A) 4 11/32"	(B) 3 1/16"
12L	Channel	4" Channel @ 5.4 #	11/2" x 11/2" x 3/16"	(C) 3 11/32"	(D) 2 1/16"
10H**	Angle (Toe In)	3 1/2" x 2 1/2" x 1/4"	11/2" x 11/2" x 3/16"	(A) 4 5/32"	(B) 2 7/8"
10L**	Angle (Toe In)	3 1/2" x 2 1/2" x 1/4"	11/2" x 11/2" x 3/16"	(C) 3 3/32"	(D) 1 13/16"
11H**	Angle (Toe Out)	3 1/2" x 2 1/2" x 1/4"	11/2" x 11/2" x 3/16"	(A) 4 5/32"	(B) 2 7/8"
11L**	Angle (Toe Out)	3 1/2" x 2 1/2" x 1/4"	11/2" x 11/2" x 3/16"	(C) 3 3/32"	(D) 1 13/16"
14H**	Angle (Toe In)	4" x 3" x 5/16"	2" x 2" x 3/16"	(A) 4 11/32"	(B) 3 1/16"
14L**	Angle (Toe In)	4" x 3" x 5/16"	2" x 2" x 3/16"	(C) 3 11/32"	(D) 2 1/16"
15H**	Angle (Toe Out)	4" x 3" x 5/16"	2" x 2" x 3/16"	(A) 4 11/32"	(B) 3 1/16"
15L**	Angle (Toe Out)	4" x 3" x 5/16"	2" x 2" x 3/16"	(C) 3 11/32"	(D) 2 1/16"

** Alternate Frame

★ Other Frame Options available on Customer request.

➔ Other Shaft Options Available.

ROLLER

#2607-60

ROLLER

2 9/16" O.D. x #7 Ga. welded steel tubing. 11/16" hex. shaft - ring retained.
 #60 Bearing (standard).
 Roller rating - 600 lbs. per roller.

FRAME

Standard Frame Widths are:
 4 1/4" to 72 1/4" in 2" increments.
 Standard in 5' & 10' lengths.
 Rollers come on 3", 4", 4 1/2", 5", 6", 8", 9", 10" or 12" centers.

ORDERING

For complete section: Roller/
 Bearing/Frame Style/Frame Width/
 Roller Centers/Length.

REF: 2607-60-12H-22 1/4"-6"-10'

For roller only:

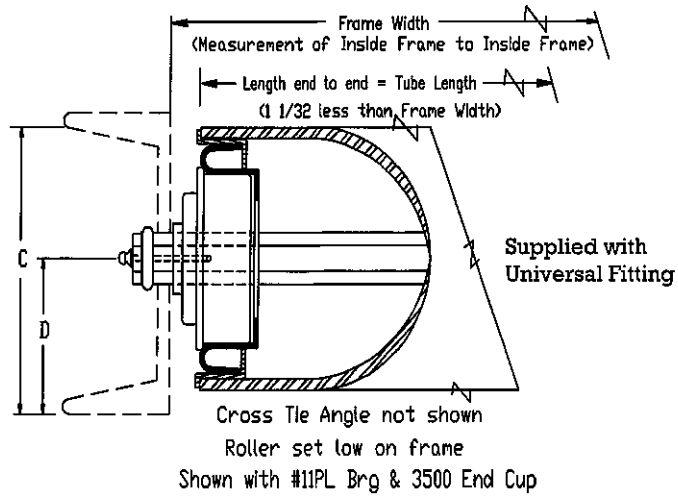
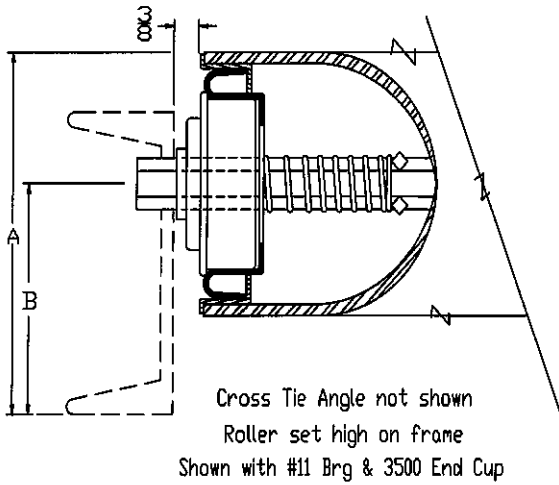
Roller/Bearing/Frame Width/
 Frame Thickness.

REF: 2607-60-22 1/4"-3/16"

NOTE

Roller Assemblies with Semi-Precision Bearings, also available.

> Frame Width Measurement = Inside Frame to Inside Frame <



Other Bearing Options:
#11D Dust Protected Brg.
#11LL Lube for Life Brg.
#11PL Pressure Lubed Brg.
(Minimum Frame Width for
"Pressure Lube Roller" from 8 1/4")

TYPE	SIDE RAIL (Type) *	SIDE RAIL (Size) *	CROSS TIE ANGLE	T.O.R. HEIGHT	ROLLER FRAME GAUGE
12H	Channel	4" Channel @ 5.4 #	1 1/2" x 1 1/2" x 3/16"	(A) 4 13/16"	(B) 3 1/16"
12L	Channel	4" Channel @ 5.4 #	1 1/2" x 1 1/2" x 3/16"	(C) 3 13/16"	(D) 2 1/16"
14H**	Angle (Toe In)	4" x 3" x 5/16"	2" x 2" x 3/16"	(A) 4 13/16"	(B) 3 1/16"
15H**	Angle (Toe Out)	4" x 3" x 5/16"	2" x 2" x 3/16"	(A) 4 13/16"	(B) 3 1/16"
15L**	Angle (Toe Out)	4" x 3" x 5/16"	2" x 2" x 3/16"	(C) 3 13/16"	(D) 2 1/16"

** Alternate Frame

* Other Frame Options available on Customer request.

➔ Other Shaft Options Available.

ROLLER

#3509-11

ROLLER

3 1/2" O.D. x #9 Ga. welded steel tubing. 1 1/16" hex. shaft - spring retained. #11 Bearing (standard). Roller rating - 600 lbs. per roller.

FRAME

Standard Frame Widths are: 8 1/4" to 60 1/4" in 2" increments. When Frame Width is more than 72 1/4", tubes have straight ends (No swaging). Tube = Frame Width minus 13/16". Standard in 5' & 10' lengths. Rollers available on 4", 6", 9", or 12" centers.

ORDERING

For complete section: Roller/Bearing/Frame Style/Frame Width/Roller Centers/Length

REF: 3509-11-12H-20 1/4"-6"-10'

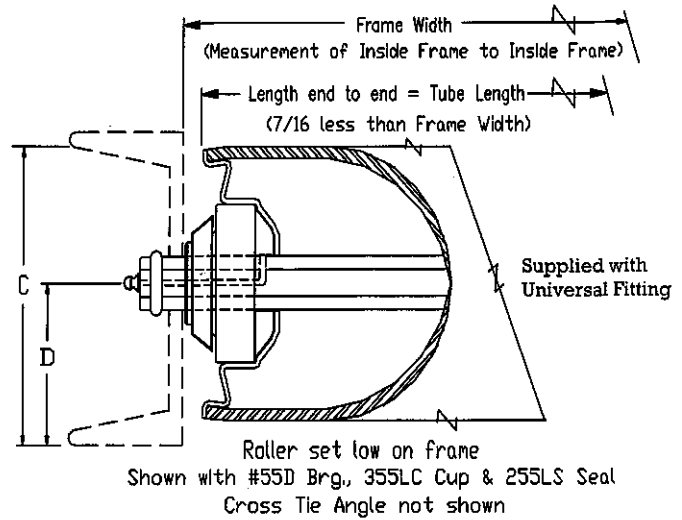
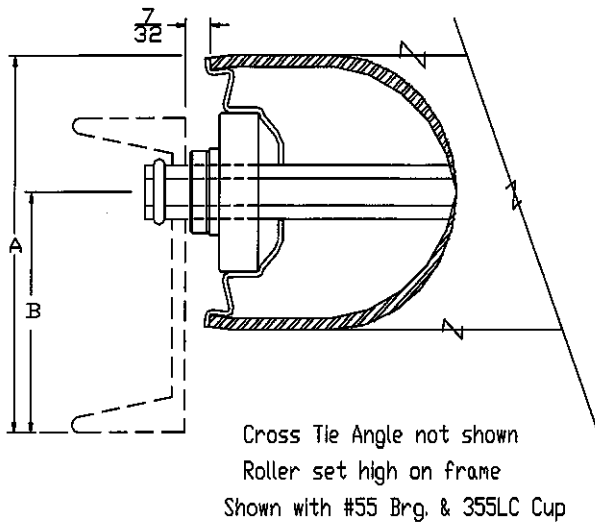
For roller only:

Roller/Bearing/Frame Width/Frame Thickness

REF: 3509-11-20 1/4"-1/4"

NOTE

Roller Assemblies with Semi-Precision Bearings, also available.
> Frame Width Measurement = Inside Frame to Inside Frame <



Other Bearing Options:

- #55D Dust Protected Brg.
- #55GP Grease Packed Brg.
- #55 L Pressure Lubed Brg.
- #55LL Lube for Life Brg.

(Frame Width for 55LL
is 1/2" more than Tube Length)

TYPE	SIDE RAIL (Type) *	SIDE RAIL (Size) *	CROSS TIE ANGLE	T.O.R. HEIGHT	ROLLER FRAME GAUGE
12H	Channel	4" Channel @ 5.4 #	1 1/2" x 1 1/2" x 3/16"	(A) 4 13/16"	(B) 3 1/16"
12L	Channel	4" Channel @ 5.4 #	1 1/2" x 1 1/2" x 3/16"	(C) 3 13/16"	(D) 2 1/16"
14H**	Angle (Toe In)	4" x 3" x 5/16"	2" x 2" x 3/16"	(A) 4 13/16"	(B) 3 1/16"
15H**	Angle (Toe Out)	4" x 3" x 5/16"	2" x 2" x 3/16"	(A) 4 13/16"	(B) 3 1/16"
15L**	Angle (Toe Out)	4" x 3" x 5/16"	2" x 2" x 3/16"	(C) 3 13/16"	(D) 2 1/16"

** Alternate Frame

* Other Frame Options available on Customer request.

→ Other Shaft Options Available.

ROLLER

#3509-55

ROLLER

3 1/2" O.D. x #9 Ga. welded steel tubing. 5/8" hex. shaft - ring retained.
#55 Bearing (standard).
Roller rating - 400 lbs. per roller.

FRAME

Standard Frame Widths are:
4 1/4" to 72 1/4" in 2" increments.
When Frame Width is more than 58",
tubes have straight ends (No swaging).
Standard in 5' & 10' lengths.
Rollers available on 4", 5", 6", 8", 10"
or 12" centers.

ORDERING

For complete section: Roller/
Bearing/Frame Style/Frame Width/
Roller Centers/Length.

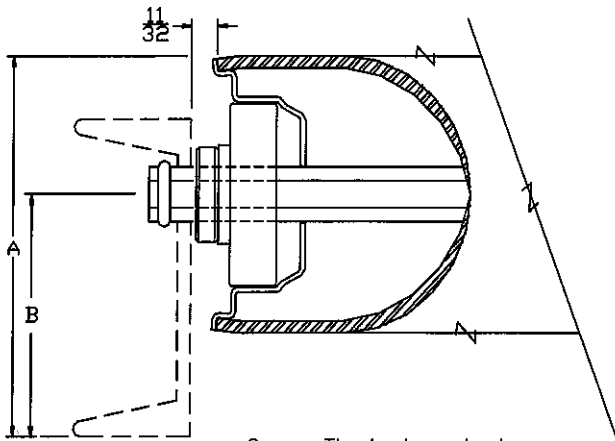
REF: 3509-55-12H-30 1/4"-9"-10'

For roller only:

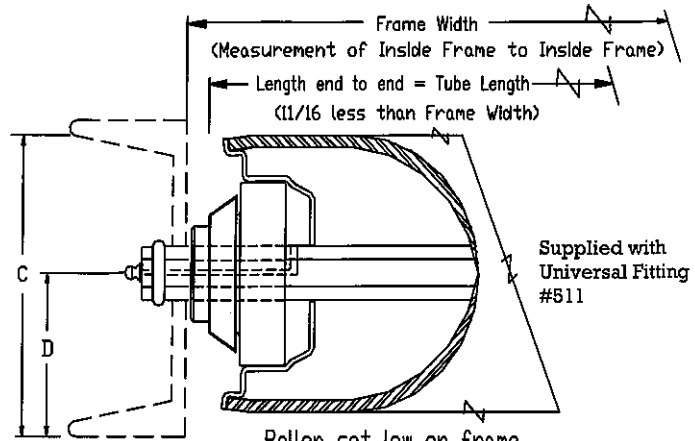
Roller/Bearing/Frame Width/
Frame Thickness.

REF: 3509-55-30 1/4"-1/4"

> Frame Width Measurement = Inside
Frame to Inside Frame <



Cross Tie Angle not shown
Roller set high on frame
Shown with #60 Brg. & 35LC Cup



Roller set low on frame
Shown with #60D Brg., 35LC Cup & 27LS Seal
Cross Tie Angle not shown

- Other Bearing Options:
 #60D Dust Protected Brg.
 #60GP Grease Packed Brg.
 #60 L Pressure Lubed Brg.
 #60LL Lube for Life Brg.

(is 3/4" more than Tube Length)

TYPE	SIDE RAIL (Type) ★	SIDE RAIL (Size) ★	CROSS TIE ANGLE	T.O.R. HEIGHT	ROLLER FRAME
12H	Channel	4" Channel @ 5.4 #	1 1/2" x 1 1/2" x 3/16"	(A) 4 13/16"	(B) 3 1/16"
12L	Channel	4" Channel @ 5.4 #	1 1/2" x 1 1/2" x 3/16"	(C) 3 13/16"	(D) 2 1/16"
14H**	Angle (Toe In)	4" x 3" x 5/16"	2" x 2" x 3/16"	(A) 4 13/16"	(B) 3 1/16"
15H**	Angle (Toe Out)	4" x 3" x 5/16"	2" x 2" x 3/16"	(A) 4 13/16"	(B) 3 1/16"
15L**	Angle (Toe Out)	4" x 3" x 5/16"	2" x 2" x 3/16"	(C) 3 13/16"	(D) 2 1/16"

** Alternate Frame

★ Other Frame Options available on Customer request.

→ Other Shaft Options Available.

ROLLER

#3509-60

ROLLER

3 1/2" O.D. x #9 Ga. welded steel tubing. 11/16" hex. shaft - ring retained.
 #60 Bearing (standard).
 Roller rating - 600 lbs. per roller.

FRAME

Standard Frame Widths are:
 8 1/4" to 60 1/4" in 2" increments.
 When Frame Width is more than 72 1/4", tubes have straight ends (No swaging). Tube = Frame Width minus 13/16". Standard in 5' & 10' lengths.
 Rollers available on 4", 5", 6", 8", 10" or 12" centers.

ORDERING

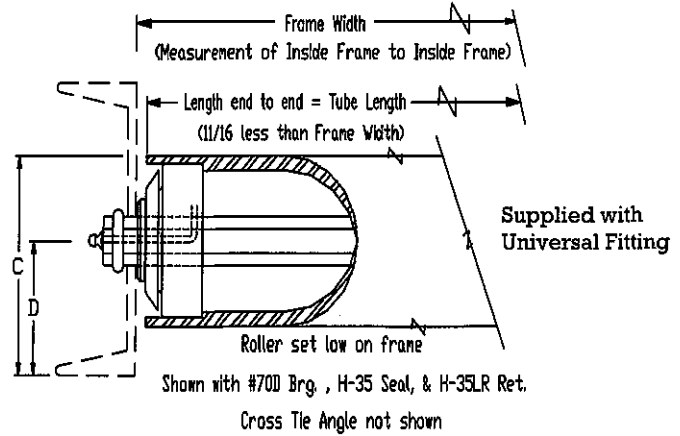
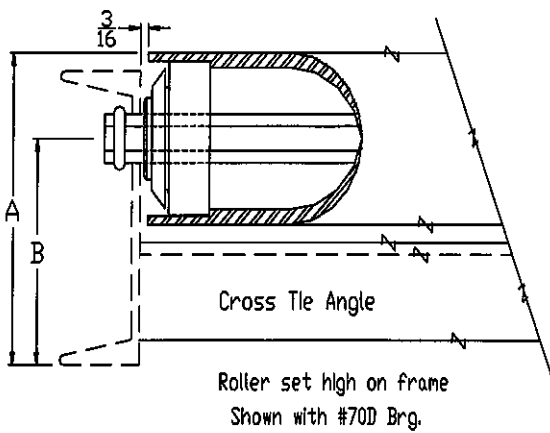
For complete section: Roller/
 Bearing/Frame Style/Frame Width/
 Roller Centers/Length.

REF: 3509-60-12H-20 1/4"-6"-10'

For roller only:

Roller/Bearing/Frame Width/
 Frame Thickness.

REF: 3509-60-20 1/4"-1/8"



Other Bearing Options:
#70-GP Grease Packed Brg.
#70-L Lube for Life Brg.
#70-PL Pressure Lubed Brg.
(Minimum Frame Width
for 70-LL is 4 1/8")

TYPE	SIDE RAIL (Type) *	SIDE RAIL (Size) *	CROSS TIE ANGLE	T.O.R. HEIGHT	ROLLER FRAME
16H	Channel	6" Channel @ 8.2 #	2"x2"x1/4"	(A) 6 3/8"	(B) 4 5/8"
16L	Channel	6" Channel @ 8.2 #	2"x2"x1/4"	(C) 4 1/2"	(D) 2 3/4"
17H**	Angle (Toe In)	6" x 4" x 1/2"	2 1/2" x 2 1/2" x 1/4"	(A) 6 3/8"	(B) 4 5/8"
17L**	Angle (Toe In)	6" x 4" x 1/2"	2 1/2" x 2 1/2" x 1/4"	(C) 4 1/2"	(D) 2 3/4"
18H**	Angle (Toe Out)	6" x 4" x 1/2"	2 1/2" x 2 1/2" x 1/4"	(A) 6 3/8"	(B) 4 5/8"
18L**	Angle (Toe Out)	6" x 4" x 1/2"	2 1/2" x 2 1/2" x 1/4"	(C) 4 1/2"	(D) 2 3/4"

** Alternate Frame

* Other Frame Options available on Customer request.

→ Other Shaft Options Available.

ROLLER #3530-70D

ROLLER

3 1/2" Outside Diameter x .300" wall tube. 1" hex. shaft - ring retained. #70D Bearing.

Roller rating - 2000 lbs. per roller

FRAME

Standard Frame Widths are: 4 3/8" to 72 3/8" in 2" increments.

Standard in 5' & 10' lengths.

Rollers available on 4", 5", 6", 8", 10" or 12" centers.

ORDERING

For complete section: Roller/Bearing/Frame Style/Frame Width/ Roller Centers/Length.

REF: 3530-70D-16H-36 3/8"-8"-10'

For roller only:

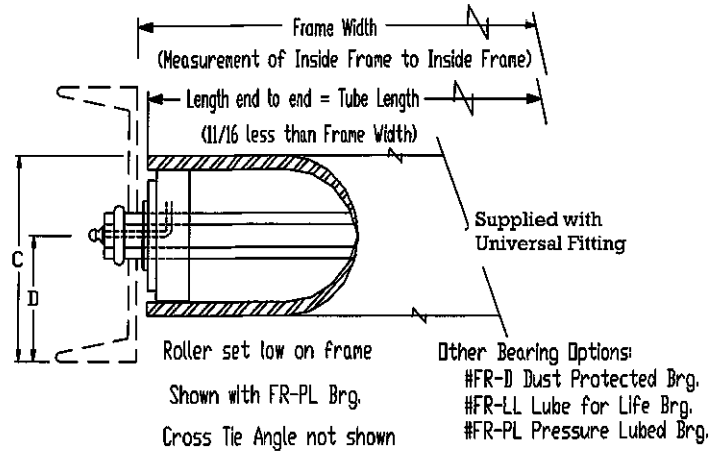
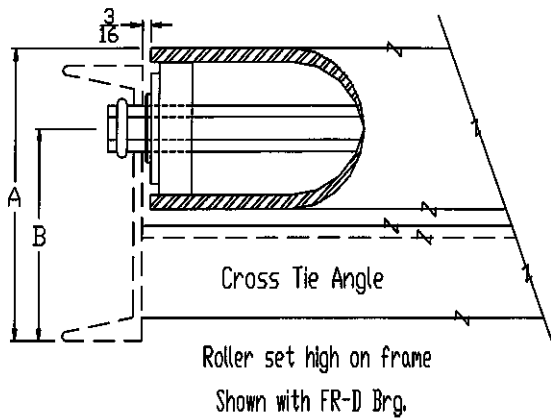
Roller/Bearing/Frame Width/ Frame Thickness.

REF: 3530-70D-36 3/8"-1/4"

NOTE

Also available with a Precision Bearing.

> Frame Width Measurement = Inside Frame to Inside Frame <



TYPE	SIDE RAIL (Type) *	SIDE RAIL (Size) *	CROSS TIE ANGLE	T.O.R. HEIGHT	ROLLER FRAME GAUGE
16H	Channel	6" Channel @ 8.2 #	2"x2"x1/4"	(A) 6 3/8"	(B) 4 5/8"
16L	Channel	6" Channel @ 8.2 #	2"x2"x1/4"	(C) 4 1/2"	(D) 2 3/4"
17H**	Angle (Toe In)	6" x 4" x 1/2"	2 1/2" x 2 1/2" x 1/4"	(A) 6 3/8"	(B) 4 5/8"
17L**	Angle (Toe In)	6" x 4" x 1/2"	2 1/2" x 2 1/2" x 1/4"	(C) 4 1/2"	(D) 2 3/4"
18H**	Angle (Toe Out)	6" x 4" x 1/2"	2 1/2" x 2 1/2" x 1/4"	(A) 6 3/8"	(B) 4 5/8"
18L**	Angle (Toe Out)	6" x 4" x 1/2"	2 1/2" x 2 1/2" x 1/4"	(C) 4 1/2"	(D) 2 3/4"

ROLLER

#3530-FR

ROLLER

3 1/2" O.D. x .300" wall tube.
1" hex. shaft - ring retained
FR-D Bearing.
Roller rating - 1,040 lbs. per roller.

FRAME

Standard Frame Widths are :
8 3/8" to 60 3/8" in 2" increments.
Standard in 5' & 10' lengths.
Rollers available on 4", 6", 9" or 12" centers.

ORDERING

For complete section: Roller/
Bearing/Frame Style/Frame Width/
Roller Centers/Length.
REF: 3530-FR-D-16H-36 3/8"-10'

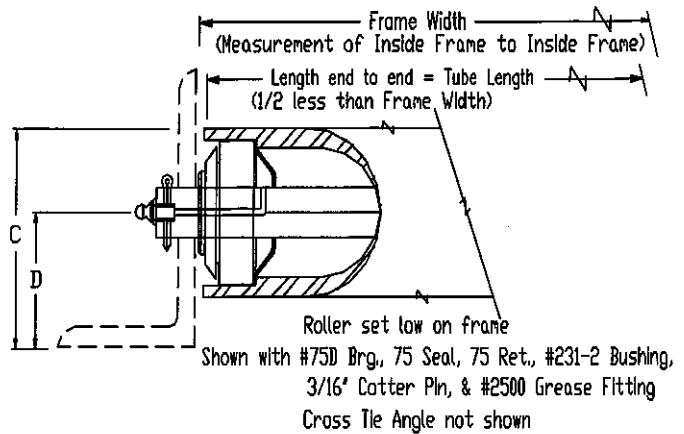
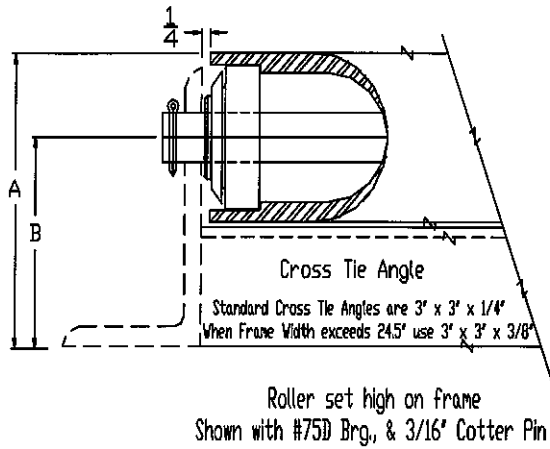
For roller only:
Roller/Bearing/Frame Width/
Frame Thickness.
REF: 3530-FR D-30 3/8"-1/4"

> Frame Width Measurement = Inside
Frame to Inside Frame.

** Alternate Frame

* Other Frame Options available on Customer request.

→ Other Shaft Options Available.



Other Bearing Options:
#75-GP Grease Packed Brg.
#75-LL Lube for Life Brg.
#75- L Pressure Lubed Brg.

TYPE	SIDE RAIL (Type) ★	SIDE RAIL (Size) ★	CROSS TIE ANGLE	T.O.R. HEIGHT	ROLLER FRAME GAUGE
19H	Angle (Toe In)	7" x 4" x 1/2"	3" x 3" x 1/4"	(A) 7 3/8"	(B) 5 1/4"
19L	Angle (Toe In)	7" x 4" x 1/2"	3" x 3" x 1/4"	(C) 5 1/2"	(D) 3 3/8"
20H	Angle (Toe Out)	7" x 4" x 1/2"	3" x 3" x 1/4"	(A) 7 3/8"	(B) 5 1/4"
20L	Angle (Toe Out)	7" x 4" x 1/2"	3" x 3" x 1/4"	(C) 5 1/2"	(D) 3 3/8"
23H**	Channel	8" Channel @ 13.75#	3" x 3" x 1/4"	(A) 8 3/8"	(B) 6 1/4"
23L**	Channel	8" Channel @ 13.75#	3" x 3" x 1/4"	(C) 6 1/2"	(D) 4 3/8"

** Alternate Frame

★ Other Frame Options available on Customer request.

➔ Other Shaft Options Available.

ROLLER

#4350-75D

ROLLER

4 1/4" O.D. x 1/2" wall tube.
1 1/4" hex. shaft - cotter pin retained. #75D Bearing.
Roller rating - 3600 lbs.

FRAME

Standard Frame Widths are:
4.5" to 72.5" in 2" increments.
Standard in 5' & 10' lengths.
Rollers available on 5", 6", 8",
10" or 12" centers.

ORDERING

For complete section: Roller/
Bearing/Frame Style/Frame
Width/Roller Centers/Length.

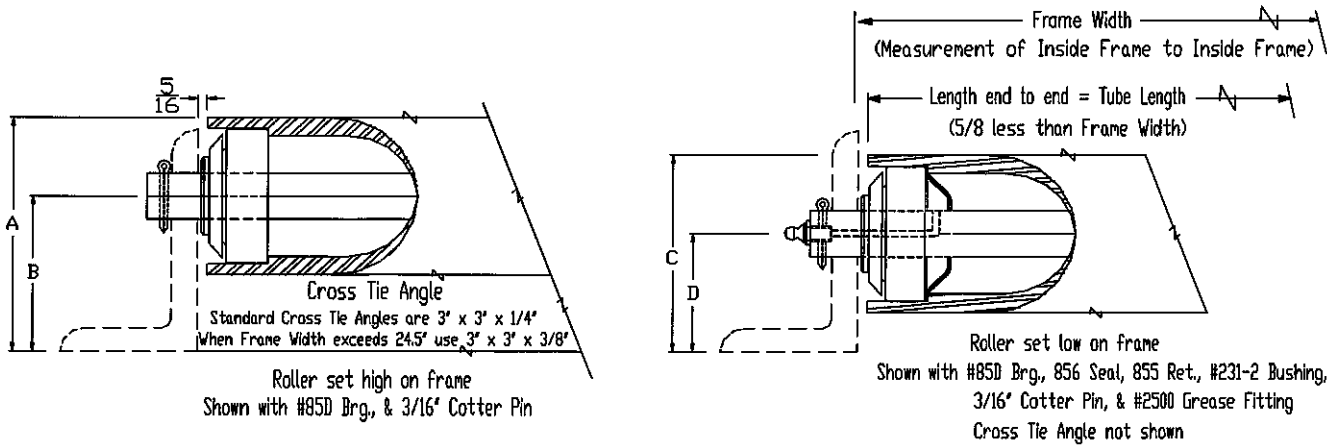
REF: 4350-75D-20H-40 1/2"-6"-10'

For roller only:

Roller/Bearing/Frame Width/
Frame Thickness.

REF: 4350-75D-30 1/2"-1/2"

> Frame Width Measurement =
Inside Frame to Inside Frame <



Other Bearing Options:
#85-GP Grease Packed Brg.

#85- L Pressure Lubed Brg.

TYPE	SIDE RAIL (Type) ★	SIDE RAIL (Size) ★	CROSS TIE ANGLE	T.O.R. HEIGHT	ROLLER FRAME GAUGE
21H	Angle (Toe In)	7" x 4" x 3/4"	3" x 3" x 1/4"	(A) 7 3/8"	(B) 4 7/8"
21L	Angle (Toe In)	7" x 4" x 3/4"	3" x 3" x 1/4"	(C) 6 1/4"	(D) 3 3/4"
22H	Angle (Toe Out)	7" x 4" x 3/4"	3" x 3" x 1/4"	(A) 7 3/8"	(B) 4 7/8"
22L	Angle (Toe Out)	7" x 4" x 3/4"	3" x 3" x 1/4"	(C) 6 1/4"	(D) 3 3/4"
24H**	Channel	10" Channel @ 30#	3" x 3" x 1/4"	(A) 10 3/8"	(B) 7 7/8"
24L**	Channel	10" Channel @ 30#	3" x 3" x 1/4"	(C) 8 1/2"	(D) 6"

⇒ **When Frame Width Measurement exceeds 24 5/8" use 3" x 3" x 3/8" Angles.**

** Alternate Frame

★ Other Frame Options available on Customer request.

→ Other Shaft Options Available.

ROLLER

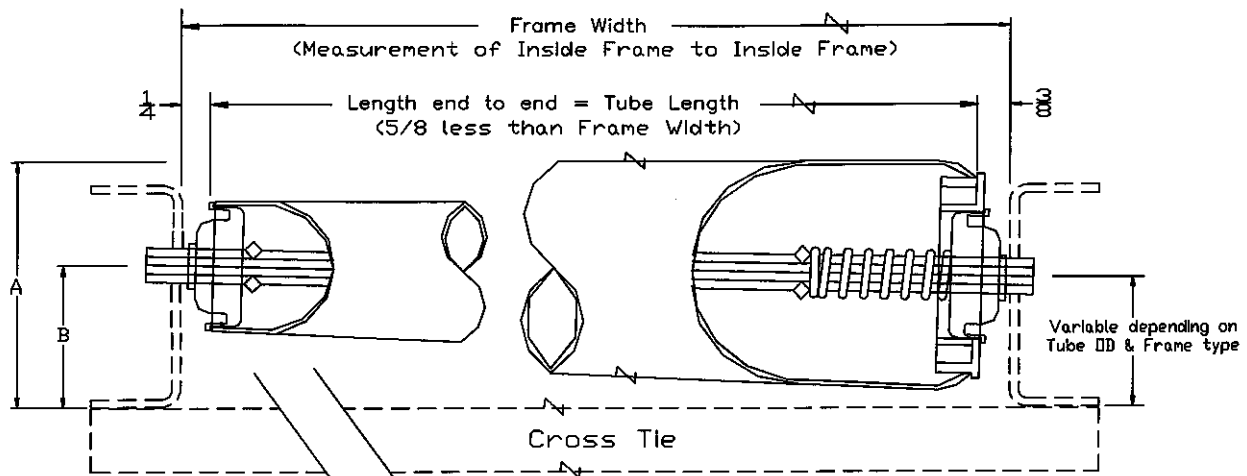
#5071-85D

ROLLER
5" O.D. x .710" wall tube. 1 1/2" hex. shaft - cotter pin retained.
#85D Bearing.
Roller rating - 6000 lbs. per roller

FRAME
Standard Frame Widths are:
6 5/8" to 72 5/8" in 2" increments.
Standard in 5' & 10' lengths.
Rollers available on 6", 8", 10" or 12" centers.

ORDERING
For complete section: Roller/Bearing/Frame Style/Frame Width/Roller Centers/Length.
REF:5071-85D-21H-72 5/8"- 8"-10'
For roller only:
Roller/Bearing/Frame Width/Frame Thickness.
REF: 5071-85D-62 5/8"-3/4"

> Frame Width Measurement = Inside Frame to Inside Frame <



RATE OF TAPER EQUALS .054" ON DIA. PER INCH OF LENGTH.

Shown with #17D Brg. 16Ga. Tube, & #9H Frame

TYPE	SIDE RAIL (Type) ★	SIDE RAIL (Size) ★	CROSS TIE ANGLE	T.O.R. HEIGHT	ROLLER FRAME
9H	Channel	3 1/2" x 1 1/4" x #12	2 1/2" x 1" x #12 Ga.	(A) 3 13/16"	(B) 2 7/8"
12H**	Channel	4" Channel @ 5.4#	2 1/2" x 1" x #12 Ga.	(A) 4 3/16"	(B) 3 1/4"

TAPERED ROLLER CURVED SECTIONS

are the answer to curve problems which may deface fragile loads because of guide rails and uneven load distribution.

Straight roller curves use adjustable roller lead to ease these problems, but are not as effective as using tapered rollers. Taper's cause the side of the object farthest from the inner rail to be conveyed at a faster speed than that of the object nearest the inner rail because of a faster roller surface speed at the large end of the roller. Tapered Rollers are designed with a "True Taper" that creates a perfect circumference ratio between the small and large end diameters, offering a precise method of center load travel repositioning because it is conveyed across the arc of the curved section. While guide rails may not be necessary, they are suggested to avoid accidents.

** Alternate Frame

★ Other Frame Options available on Customer request.

→ Other Shaft Options Available.

TAPERED ROLLER #TR-16-17

ROLLER

1.9" Outside Diameter, small end, tapered tubes (#16 Gauge Tube Walls). 7/16" hex. shaft - spring loaded. #17D Bearing Standard. Roller rating - 270 lbs. per roller.

FRAME

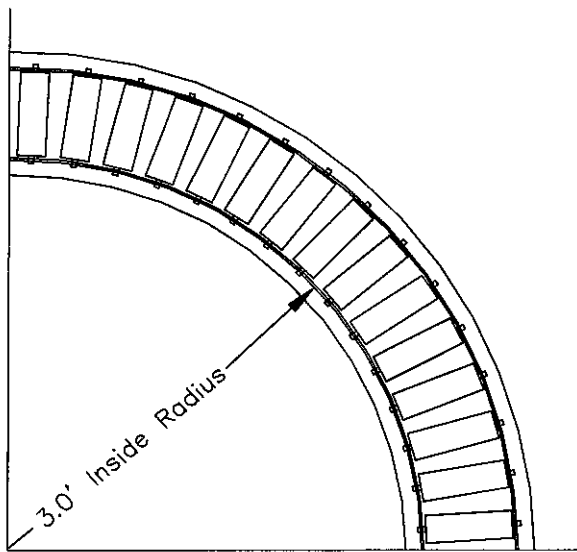
Standard Frame Widths are 12 1/4" to 42 1/4" in 2" increments. Non-standard rolls available on request. Curves standard in 45° & 90°. Rollers spaced on 2.351" centers measured @ Inside Rail. 3' Inside Curve Radius.

ORDERING

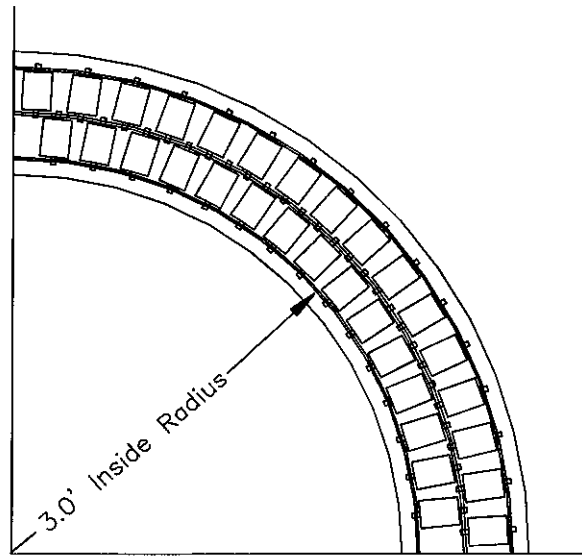
For complete section: Roller/Bearing/Frame Style/Frame Width/Roller Centers/Degree of Curve.
Ref: TR-16-17D-9H-14 1/4"- 2.351"-90°

For roller only:
Roller/Bearing/Frame Width/Frame Thickness.
(Example: TR-16-17D-26 1/4"-1/8")

> Frame Width Measurement = Inside Frame to Inside Frame <



Single Roll Frame



Differential Roll Frame

TYPE	SIDE RAIL (Type) ★	SIDE RAIL (Size) ★	CROSS TIE ANGLE	T.O.R. HEIGHT	ROLLER FRAME GAUGE
7H	Angle (Toe In)	3" x 2" x 1/4"	2 1/2" x 1" x #12 Ga. Channel	(A) 3 5/16"	(B) 2 3/8"
8H**	Angle (Toe Out)	3" x 2" x 1/4"	2 1/2" x 1" x #12 Ga. Channel	(A) 3 5/16"	(B) 2 3/8"
12H**	Channel	4" Channel @ 5.4#	2 1/2" x 1" x #12 Ga. Channel	(A) 4 3/16"	(B) 3 1/4"

**NOTE: To specify
Differential Frame add
suffix 'D' to Frame No.**

** Alternate Frame

★ Other Frame Options available on Customer request.

CURVED SECTIONS

ROLLER

Refer to Chart on Pg. 3 for Standard Roller/Bearing combo's & Roller Capacities.

FRAME

Refer to Chart on Pg. 3 for Standard Frames. Curves Standard in 45° & 90°.

ORDERING

For complete section: Roller/
Bearing/Frame Style/Frame Width/
Roller Centers/Length/
Degree of Curve.

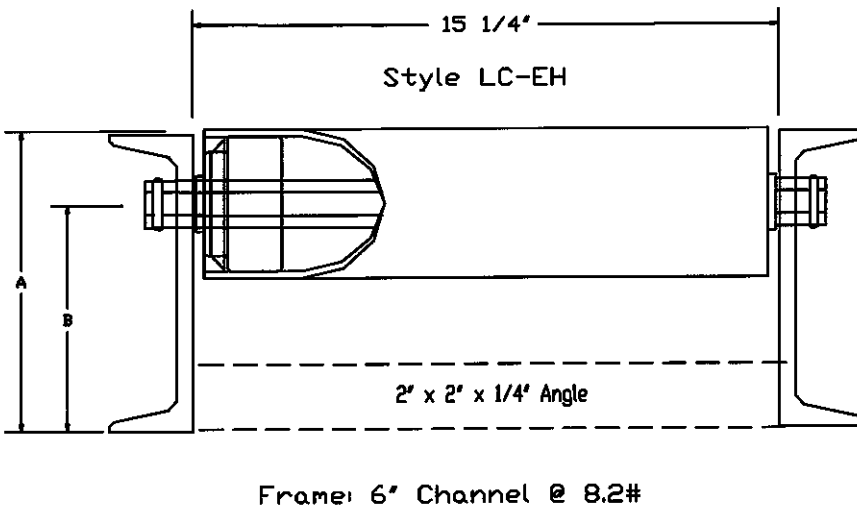
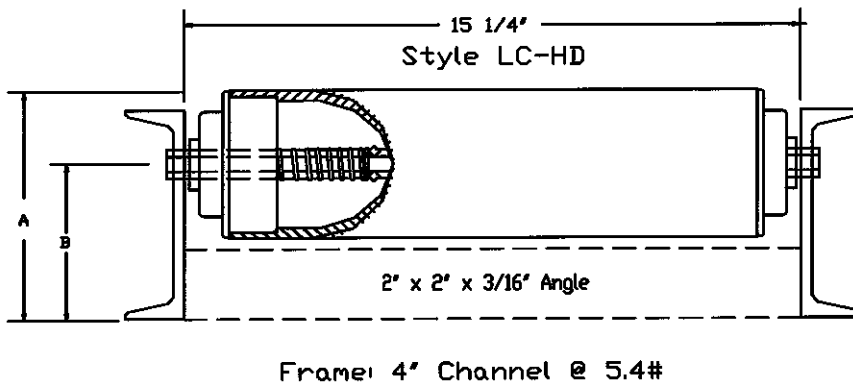
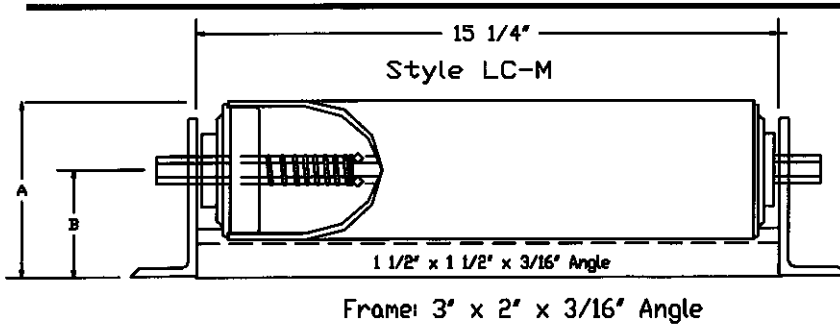
(Example: 1916-17-D-12H-8-4"-90°)

For roller only:

Roller/Bearing/Frame Width/
Frame Thickness.

(Example: 1916-17-D-24 1/4"-1/4")

> Frame Width Measurement = Inside
Frame to Inside Frame <



STYLE	SIDE RAIL (Type)	SIDE RAIL (Size)	CROSS TIE ANGLE	T.O.R. HEIGHT	ROLLER FRAME GAUGE
LC-M	Angle (Toe Out)	3" x 2" x 3/16"	1 1/2" x 1 1/2" x 3/16"	(A) 3 3/8"	(B) 2 1/8"
LC-HD	Channel	4" Channel @ 5.4#	2" x 2" x 3/16"	(A) 4 11/32"	(B) 3 1/16"
LC-EH	Channel	6" Channel @ 8.2#	2" x 2" x 1/4"	(A) 6 7/16"	(B) 4 11/16"

LUMBER CONVEYORS

The Style **LC-M** Lumber Conveyor is constructed for medium-duty service in portable or permanent placement. It is well-suited to handle medium loads of lumber in sawmills, lumber yards, etc. For gravity flow, a grade of approximately 1/2" per lineal foot is required.

The Style **LC-HD** Lumber Conveyor is primarily constructed for heavy-duty service in sawmills and other applications that present shock loading and severe handling of rough logs and heavy timbers. This conveyor can be used in portable placement, but is usually situated in permanent placement. Lumber and timber placed on this conveyor should be manually assisted because gravity is not effective in conveying such a wide range of heavy loads.

The Style **LC-EH** Lumber Conveyor is designed for extra heavy-duty service in sawmills and lumber yards. It is often utilized in parallel lines to handle large stacks of lumber laid cross-wise on runners. Lumber and timber placed on this conveyor should be manually assisted because gravity is not effective in conveying such a wide range of heavy loads.

ROLLER

Style **LC-M** : 2 1/2" Outside Diameter x #14 Gauge welded steel tubing. 7/16" hex. shaft - spring retained. #15 Bearing Roller rating - 270 lbs. per roller.

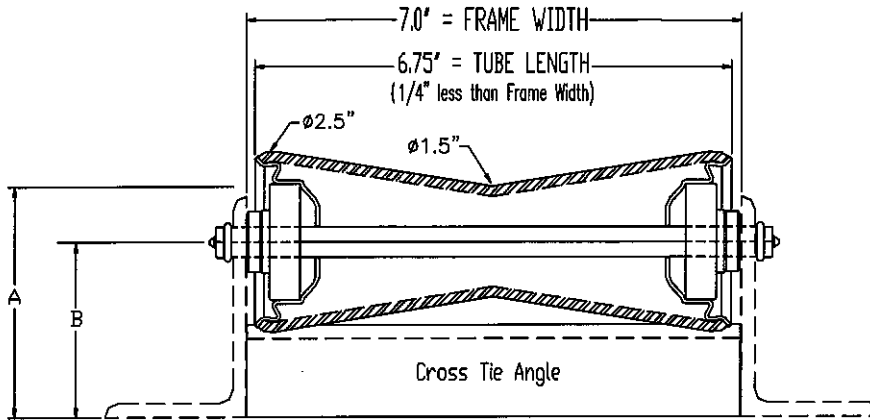
Style **LC-HD** : 2 9/16" Outside Diameter x #7 Gauge welded steel tubing. 11/16" hex. shaft - spring retained. #11 Brg. Roller rating - 600 lbs. per roller.

Style **LC-EH** : 3 1/2" Outside Diameter x .300 wall tube. 1" hex. shaft - ring retained. #70D Bearing. Roller rating - 2000 lbs. per roller.

FRAME

Standard Roller length is 15 1/4" BF for all lumber conveyors. Standard in 10' lengths. Rollers come on 18" centers.

Refer to drawings for frame sizes.



Shown with #50 Brg. & 7/16" Hex

Other Options:
#55 Brg. & 5/8" Hex Shaft

Note: Style A Rolls can be furnished
with Dust Protected Bearings

TYPE	SIDE RAIL (Type)	SIDE RAIL (Size)	CROSS TIE ANGLE	T.O.R. HEIGHT	ROLLER FRAME
5H	Angle (Toe In)	3" x 2" x 3/16"	1 1/4" x 1 1/4" x 3/16"	(A) 3 1/8"	(B) 2 3/8"
6H**	Angle (Toe Out)	3" x 2" x 3/16"	1 1/4" x 1 1/4" x 3/16"	(A) 3 1/8"	(B) 2 3/8"
7H**	Angle (Toe In)	3" x 2" x 1/4"	1 1/4" x 1 1/4" x 3/16"	(A) 3 1/8"	(B) 2 3/8"
8H**	Angle (Toe Out)	3" x 2" x 1/4"	1 1/4" x 1 1/4" x 3/16"	(A) 3 1/8"	(B) 2 3/8"

** Alternate Frame

CONCAVE ROLLER STYLE A

ROLLER

- Style A Concave Roller. #10 Gauge welded tubing (Die Formed). 7/16" hex. shaft - ring retained. #50 Bearing (standard). Roller rating - 270 lbs. per roller.
- Style A (Alternate Concave Roller). #10 Gauge welded steel tubing (Die Formed). 5/8" hex. shaft - ring retained. #55 Bearing. Roller rating - 400 lbs. per roller.

FRAME

Standard Frame Widths are 7". Available in 5' & 10' lengths. Rollers available on 3", 4", 4 1/2", 5", 6", 8", 9", 10" or 12" centers.

ORDERING

For complete section: Roller/Bearing/Frame Style/Frame Width/Roller Centers/Length.

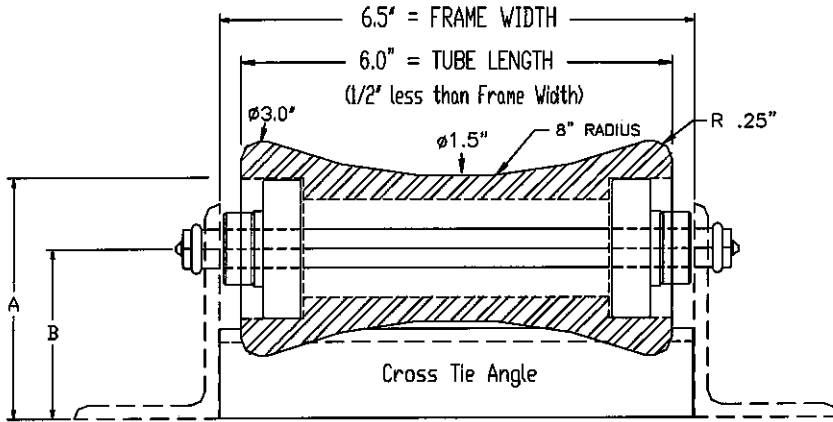
REF: Style A-#50-6H-7"-4"-10"

For roller only:

Roller/Bearing/Frame Width/Frame Thickness.

REF: Style A Alternate-#55-7"-1/4"

> Frame Width Measurement = Inside Frame to Inside Frame <



Shown with #50 Brg. & 7/16" Hex

Other Options:
#55 Brg. & 5/8" Hex Shaft

Note: Style B Rolls can be furnished
with Dust Protected Bearings

TYPE	SIDE RAIL (Type)	SIDE RAIL (Size)	CROSS TIE ANGLE	T.O.R. HEIGHT	ROLLER FRAME
5H	Angle (Toe In)	3" x 2" x 3/16"	1 1/4" x 1 1/4" x 3/16"	(A) 3 3/8"	(B) 2 3/8"
6H**	Angle (Toe Out)	3" x 2" x 3/16"	1 1/4" x 1 1/4" x 3/16"	(A) 3 3/8"	(B) 2 3/8"
7H**	Angle (Toe In)	3" x 2" x 1/4"	1 1/4" x 1 1/4" x 3/16"	(A) 3 3/8"	(B) 2 3/8"
8H**	Angle (Toe Out)	3" x 2" x 1/4"	1 1/4" x 1 1/4" x 3/16"	(A) 3 3/8"	(B) 2 3/8"

** Alternate Frame

CONCAVE ROLLER STYLE B

ROLLER

•Style B Concave Roller. Cold Rolled Steel. 7/16" hex. shaft - ring retained. #50 Bearing (standard). Roller rating - 270 lbs. per roller.

•Style B (Alternate Concave Roller). Cold Rolled Steel. 5/8" hex. shaft - ring retained. #55 Bearing. Roller rating - 400 lbs. per roller.

FRAME

Standard Frame Widths are 6 1/2". Available in 5' & 10' lengths. Rollers available on 4", 4 1/2", 5", 6", 8", 9", 10" or 12" centers.

ORDERING

For complete section: Roller/
Bearing/Frame Style/Frame Width/
Roller Centers/Length.

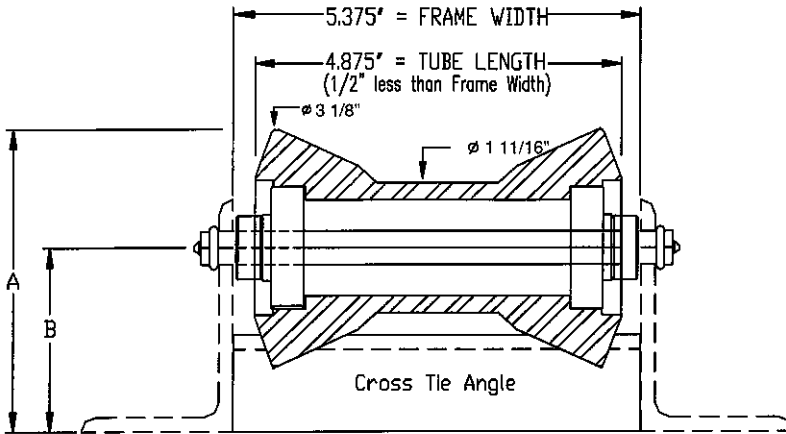
REF: Style B-50-6H-6 1/2"-4"-10'

For roller only:

Roller/Bearing/Frame Width/
Frame Thickness.

REF: Style B Alternate - 55 - 6 1/2" - 1/4"

> Frame Width Measurement = Inside
Frame to Inside Frame <



Shown with #50 Brg. & $\frac{7}{16}$ " Hex

Other Options:
#55 Brg. & 5/8" Hex Shaft

Note: Style C Rolls can be furnished
with Dust Protected Bearings

TYPE	SIDE RAIL (Type)	SIDE RAIL (Size)	CROSS TIE ANGLE	T.O.R. HEIGHT	ROLLER FRAME GAUGE
5H	Angle (Toe In)	3" x 2" x 3/16"	1 1/4" x 1 1/4" x 3/16"	(A) 3 3/16"	(B) 2 3/8"
6H**	Angle (Toe Out)	3" x 2" x 3/16"	1 1/4" x 1 1/4" x 3/16"	(A) 3 3/16"	(B) 2 3/8"
7H**	Angle (Toe In)	3" x 2" x 1/4"	1 1/4" x 1 1/4" x 3/16"	(A) 3 3/16"	(B) 2 3/8"
8H**	Angle (Toe Out)	3" x 2" x 1/4"	1 1/4" x 1 1/4" x 3/16"	(A) 3 3/16"	(B) 2 3/8"

** Alternate Frame

CONCAVE ROLLER STYLE C

ROLLER

•Style C Concave Roller. Cold Rolled Steel. 7/16" hex. shaft - ring retained. #50 Bearing (standard). Roller rating - 270 lbs. per roller.

•Style C (Alternate Concave Roller). Cold Rolled Steel. 5/8" hex. Shaft - ring retained. #55 Bearing. Roller rating - 400 lbs. per roller.

FRAME

Standard Frame Widths are 5 3/8". Available in 5' & 10' lengths. Rollers available on 4", 4 1/2", 5", 6", 8", 9", 10" or 12" centers.

ORDERING

For complete section: Roller/
Bearing/Frame Style/Frame Width/
Roller Centers/Length.

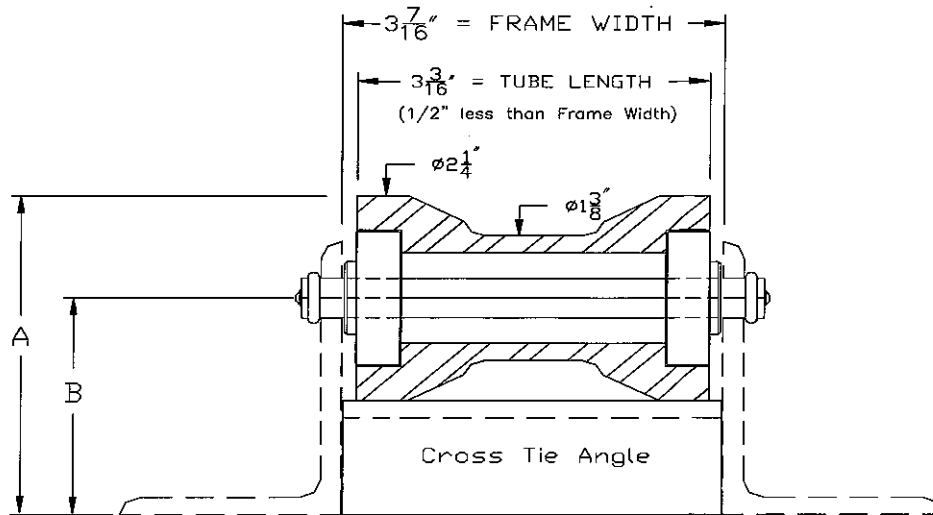
REF: Style C-50-6H-5 3/8"-4"-10'

For roller only:

Roller/Bearing/Frame Width/
Frame Thickness.

REF: Style C Alt. - 55D - 5 3/8" - 1/4"

> Frame Width Measurement = Inside
Frame to Inside Frame <



Shown with #50S Brg. & $\frac{7}{16}$ " Hex

TYPE	SIDE RAIL (Type)	SIDE RAIL (Size)	CROSS TIE ANGLE	T.O.R. HEIGHT	ROLLER FRAME GAUGE
6H	Angle (Toe Out)	3" x 2" x 3/16"	1 1/4" x 1 1/4" x 3/16"	(A) 3 1/16"	(B) 2 3/8"
8H**	Angle (Toe Out)	3" x 2" x 1/4"	1 1/4" x 1 1/4" x 3/16"	(A) 3 1/16"	(B) 2 3/8"

CONCAVE ROLLER STYLE D

ROLLER

Style D Concave Roller. Cold Rolled Steel. 7/16" hex. shaft - ring retained. #50S Bearing (standard). Roller rating - 270 lbs. per roller.

FRAME

Standard Frame Widths are 3 7/16". Available in 5' & 10' lengths. Rollers available on 3", 4", 4 1/2", 5", 6", 8", 9", 10" or 12" centers.

ORDERING

For complete section: Roller/Bearing/Frame Style/Frame Width/Roller Centers/Length.

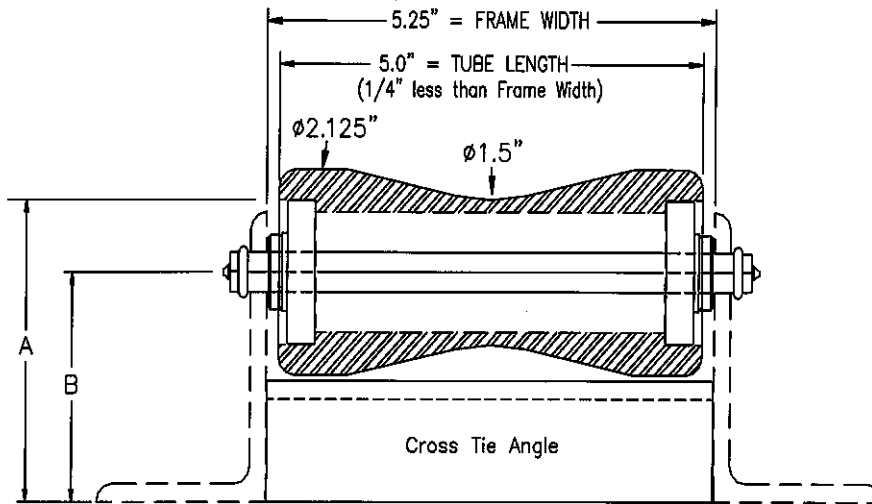
REF: Style D-50S-6H-3 7/16"-4 1/2"-10'

For roller only: Roller/Bearing/Frame Width/Frame Thickness.

REF: Style D - 50S - 3 7/16" - 3/16"

> Frame Width Measurement = Inside Frame to Inside Frame <

** Alternate Frame



Other Options:
#55 Brg. & 5/8" Hex Shaft

Note: Style F Rolls can be furnished
with Dust Protected Bearings

TYPE	SIDE RAIL (Type)	SIDE RAIL (Size)	CROSS TIE ANGLE	T.O.R. HEIGHT	ROLLER FRAME
5H	Angle (Toe In)	3" x 2" x 3/16"	1 1/4" x 1 1/4" x 3/16"	(A) 3 1/8"	(B) 2 3/8"
6H**	Angle (Toe Out)	3" x 2" x 3/16"	1 1/4" x 1 1/4" x 3/16"	(A) 3 1/8"	(B) 2 3/8"
7H**	Angle (Toe In)	3" x 2" x 1/4"	1 1/4" x 1 1/4" x 3/16"	(A) 3 1/8"	(B) 2 3/8"
8H**	Angle (Toe Out)	3" x 2" x 1/4"	1 1/4" x 1 1/4" x 3/16"	(A) 3 1/8"	(B) 2 3/8"

CONCAVE ROLLER STYLE F

ROLLER

Style F Concave Roller. Cold Rolled Steel. 7/16" hex. shaft - ring retained. #50S Bearing (standard). Roller rating - 270 lbs. per roller.

FRAME

Standard Frame Widths are 5 1/4". Available in 5' & 10' lengths. Rollers available on 3", 4", 4 1/2", 5", 6", 8", 9", 10" or 12" centers.

ORDERING

For complete section: Roller/
Bearing/Frame Style/Frame Width/
Roller Centers/Length.

REF: Style F-50S-8H-5 1/4"-4"-10'

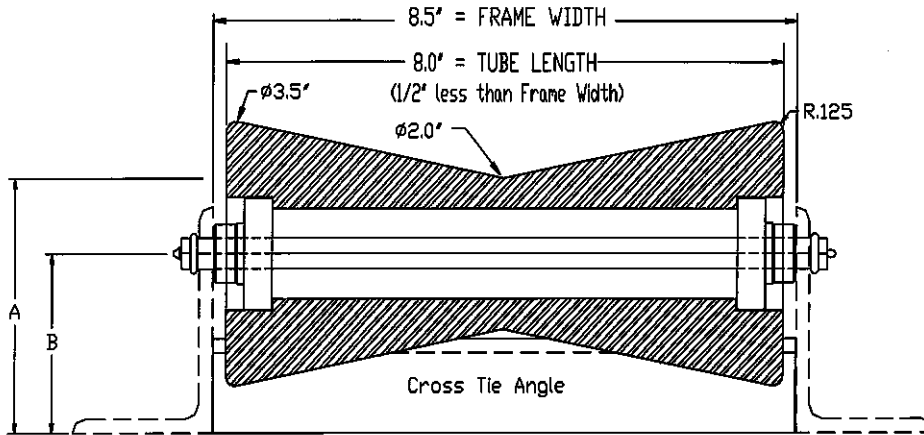
For roller only:

Roller/Bearing/Frame Width/
Frame Thickness.

REF: Style F - 50S - 5 1/4" - 1/4"

** Alternate Frame

> Frame Width Measurement = Inside
Frame to Inside Frame <



Other Options:
#55 Brg. & 5/8" Hex Shaft

Note: Style H Rolls can be furnished
with Dust Protected Bearings

Shown with #50 Brg. & 7/16" Hex

TYPE	SIDE RAIL (Type)	SIDE RAIL (Size)	CROSS TIE ANGLE	T.O.R. HEIGHT	ROLLER FRAME
5H	Angle (Toe In)	3" x 2" x 3/16"	1 1/4" x 1 1/4" x 3/16"	(A) 3 3/8"	(B) 2 3/8"
6H**	Angle (Toe Out)	3" x 2" x 3/16"	1 1/4" x 1 1/4" x 3/16"	(A) 3 3/8"	(B) 2 3/8"
7H**	Angle (Toe In)	3" x 2" x 1/4"	1 1/4" x 1 1/4" x 3/16"	(A) 3 3/8"	(B) 2 3/8"
8H**	Angle (Toe Out)	3" x 2" x 1/4"	1 1/4" x 1 1/4" x 3/16"	(A) 3 3/8"	(B) 2 3/8"

** Alternate Frame

CONCAVE ROLLER STYLE H

ROLLER

•Style H Concave Roller. Cold Rolled Steel. 7/16" hex. shaft - ring retained. #50 Bearing (standard).

Roller rating - 270 lbs. per roller.

•Style H (Alternate Concave Roller). Cold Rolled Steel. 5/8" hex. shaft - ring retained. #55 Bearing.

Roller rating - 400 lbs. per roller.

FRAME

Standard Frame Widths are 8 1/2". Available in 5' & 10' lengths. Rollers available on 4", 4 1/2", 5", 6", 8", 9", 10" or 12" centers.

ORDERING

For complete section: Roller/
Bearing/Frame Style/Frame Width/
Roller Centers/Length.

REF: Style H-50-6H-8 1/2"-4"-10'

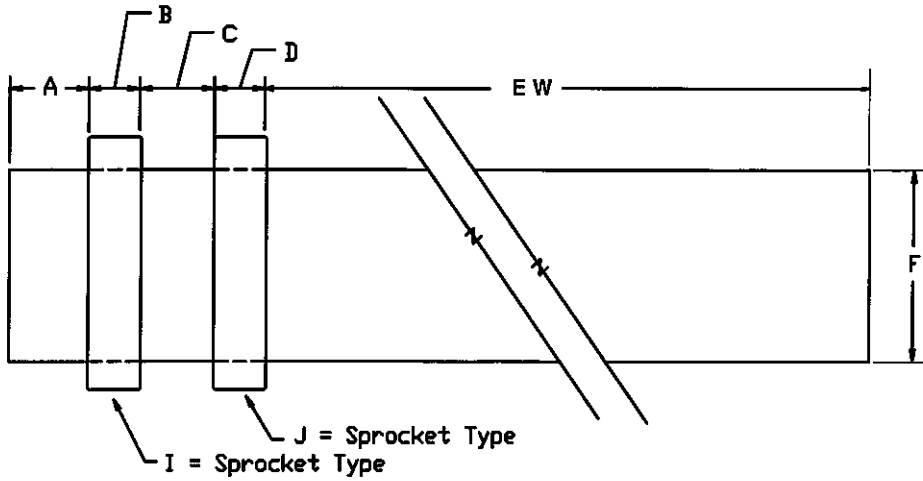
For roller only:

Roller/Bearing/Frame Width/
Frame Thickness.

REF: Style H Alternate - 5 - 8 1/2" - 3/16"

> Frame Width Measurement = Inside
Frame to Inside Frame <

CDLR ROLLER ASSEMBLY



ASSY.	A Dim.	B Dim.	C Dim.	D Dim.	EW Dim.	F Dim.	Roller Gauge	H Bearing **	I Sprocket *	J Sprocket *	ROLLER RATING
#1909	1"	.343" .284"	1"	.343" .284"	◆	1.9"	#9	#21LL	#50A15T #40A18T	#50A15T #40A18T	300 lbs.
#1912	1"	.343" .284"	1"	.343" .284"	◆	1.9"	#12	#21LL	#50A15T #40A18T	#50A15T #40A18T	300 lbs.
#2511	1"	.343"	1"	.343"	◆	2 1/2"	#11	#11LL	#50A19T	#50A19T	600 lbs.
#2511	1"	.459"	1"	.459"	◆	2 1/2"	#11	#11LL	#60A16T	#60A16T	600 lbs.
#2607	1"	.343"	1"	.343"	◆	2 9/16"	#7	#11LL	#50A19T	#50A19T	600 lbs.
#2607	1"	.343"	1"	.343"	◆	2 9/16"	#7	#14LL	#50A19T	#50A19T	600 lbs.
#2607	1"	.459"	1"	.459"	◆	2 9/16"	#7	#11LL	#60A16T	#60A16T	600 lbs.
#2607	1"	.459"	1"	.459"	◆	2 9/16"	#7	#14LL	#60A16T	#60A16T	600 lbs.
#3509	1"	.459"	1"	.459"	◆◆	3 1/2"	#9	#60LL #11LL	#60A20T	#60A20T	800 lbs.
#3509	1"	.575"	1"	.575"	◆◆	3 1/2"	#9	#60LL #11LL	#80A16T	#80A16T	800 lbs.
#3530	1"	.459"	1"	.459"	◆◆	3 1/2"	.300"	#70LL	#60A20T	#60A20T	2000 lbs.
#3530	1"	.575"	1 3/8"	.575"	◆◆	3 1/2"	.300"	#70LL	#80A16T	#80A16T	2000 lbs.
#4350	1"	.575"	1 3/8"	.575"	◆◆	4 1/4"	1/2"	#75LL	#80A18T	#80A18T	3600 lbs.
#5071	1"	.575"	1 3/8"	.575"	◆◆	5"	.710"	#85D	#80A20T	#80A20T	6000 lbs.

** Also available w/other Rollertech Style Bearings, including Semi-Precision Bearings

★ Special Sprocket applications available on Customer request.

◆ **Effective Width = BF minus 4 3/8"** (for chain cover)

◆◆ **Effective Width = BF minus 5 3/8"** (for chain cover)

ORDERING

General: Roller/Bearing/Frame Width/Frame Thickness/Sprocket Type

> Frame Width Measurement = Inside Frame to Inside Frame <

Rollertech Bearings

The Rollertech Dust-Protected Bearing (Style D) is provided with an outer shield which is fixed to the stationary inner race of the bearing, and does not touch any rotating part. In a reasonably dry-atmosphere, excellent results are obtained with no lubrication whatever.

The Grease-Packed Bearing (Style GP) features the same construction as the Dust-Protected Bearing, but is pre-lubricated during assembly with a special long-life grease.

Lubricated-for-Life Bearings are constructed similar to the Dust Protected type including the same labyrinth outer seal, but with an added built-in inner seal. Bearing is pre-lubricated during assembly with a special long-life grease.

The Lubricated-for-Life Bearing is recommended for power driven rolls as used in Live Roller or Belt Conveyors. Also suitable for push line Roller Conveyor, but not for Gravity Lines. Do not use this construction in areas where there is dirt or grime, as this type has no provision for cleaning or regreasing as with the Pressure-Lubricated Bearing.

Pressure-Lubricated Bearing construction is similar to the Dust-Protected, with the addition of a grease chamber behind the bearing plus a grease duct and pressure fitting in the shaft. The floating cup in the rear of chamber (patented) prevents entry of grease into interior of roll.

Alternate Bearing construction such as Lubricated-for-Life (Style LL), Pressure-Lubricated (Style L), Grease Packed (Style GP), Zinc Plated (Style ZP), and Round Bore (Style R) are available on most Bearings shown.

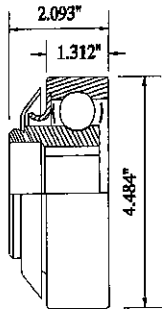
Note: These drawings indicate basic configurations. Do not use for design or construction. Contact Rollertech's Louisville office for certified dimensions.

Also available in stainless steel - contact Rollertech's Louisville office for specifications and availability.

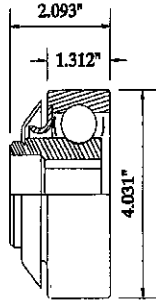
Also available in heat-resistant version - contact Rollertech's Louisville office for specifications and availability.

PURCHASING DESCRIPTION

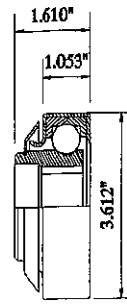
General form: Bearing No./Style/ (Example:50LL - 4-0191-003)



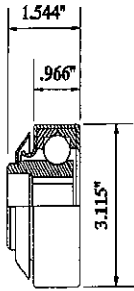
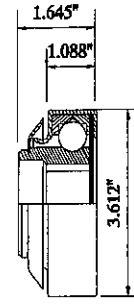
#90-D 1-5/8" Hex
 #90-RD Has A 1.953 Round Bore
Additional Information For 90 Series Brgs
 #90-D Part # 4-0204-001
 #90-RD Part # 4-0204-002
 (8) 3/4" Balls
Capacity 4,000 Lbs.



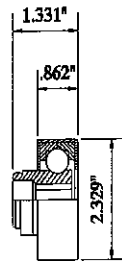
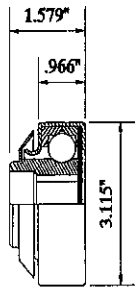
#85-D 1-1/2" Hex
 #85-RD Has A 1.703" Round Bore
Additional Information For 85 Series Brgs
 #85-D Part # 4-0202-001
 #85-RD Part # 4-0202-002
 (8) 11/16" Balls
Capacity 3,800 Lbs.



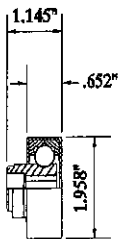
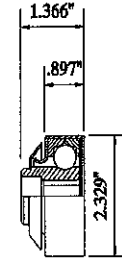
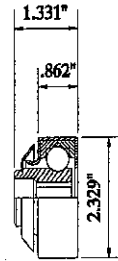
#75-D 1-1/4" Hex **#75-LL 1-1/4" Hex**
 #75-RD Has A 1.453 Round Bore
Additional Information For 75 Series Brgs
 #75-D Part # 4-0201-001
 #75-LL Part # 4-0201-002
 #75-RD Part # 4-0201-003
 (13) 9/16" Balls
Capacity 1,800 Lbs.



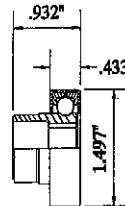
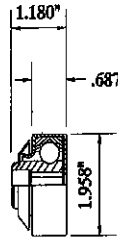
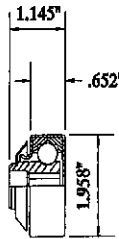
#70-D 1" Hex **#70-LL 1" Hex**
 #70-RD Has A 1.203 Round Bore
Additional Information For 70 Series Brgs
 #70-D Part # 4-0194-001 #70-LL Part # 4-0194-002
 #70-RD Part # 4-0194-003
 (13) 1/2" Balls
Capacity 1,000 Lbs.



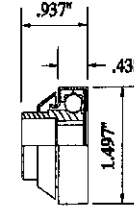
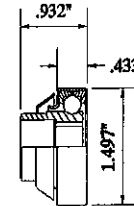
#60 11/16" Hex **#60-D 11/16" Hex** **#60-LL 11/16" Hex**
 #60-RD Has A .765" Round Bore
Additional Information For 60 Series
 #60 Part # 4-0193-001 #60-D Part # 4-0193-002
 #60-LL Part # 4-0193-003 #60-RD Part # 4-0193-005
 (12) 3/8" Balls
Capacity 300 Lbs.



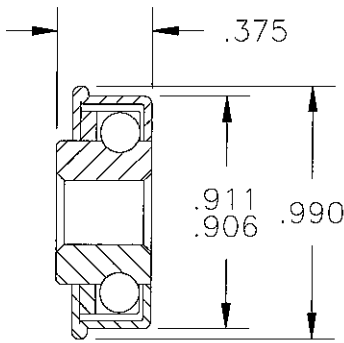
#55 5/8" Hex **#55-D 5/8" Hex** **#55-LL 5/8" Hex**
 #55-RD Has A .765 Round Bore
Additional Information for 55 Series
 #55 Part # 4-0192-001 #55-D Part # 4-0192-002
 #55-LL Part # 4-0192-003 #55-RD Part # 4-0192-004
 (12) 5/16" Balls
Capacity 200 Lbs



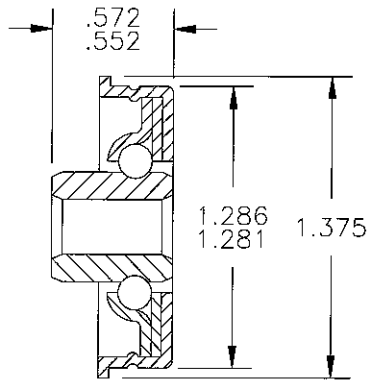
#50 7/16" Hex **#50-D 7/16" Hex** **#50-LL 7/16" Hex**
 #50-RD Has A .515" Round Bore
Additional Information For 50 Series
 50 Part # 4-0191-001 50-D Part # 4-0191-002
 50-LL Part # 4-0191-003 50-RD Part # 4-0191-004
 (12) 1/4" Balls
Capacity 135 Lbs.



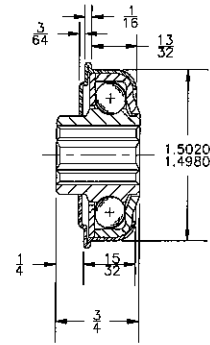
***NOTE:** This Drawing Indicates Basic Bearing Configurations. Contact Louisville Office For Certified Dimensions. Alternate Bearing Construction, Such As Lubrication, Grease Packed, Zinc Plated, Foundry, Heat Treated, Shot Shield Const. & Round Bore Are Available For Most Bearings Shown.



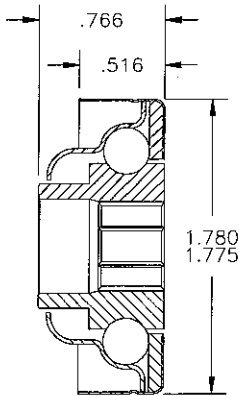
#06 1/4" Round Bore
Additional Information For 06 Series Brgs
 #06 Part # 2-0029-001
 (12) 5/32" Balls
Capacity 17 Lbs.



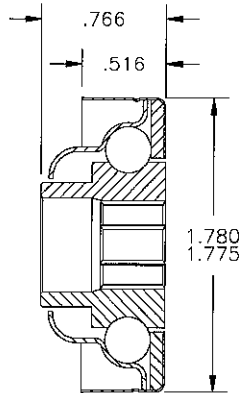
#08 1/4" Round Bore
Additional Information For 08 Series Brgs
 #08 Part # 2-0007-001
 (11) 5/32" Balls
Capacity 25 Lbs.



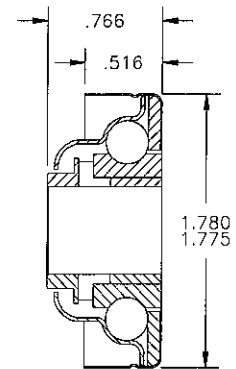
#1500 D 7/16" Hex
Add. Information For 1500 Series Brgs
 #1500 D Part # 2-0044-001
 (11) 9/32" Balls
Capacity 135 Lbs.



#17 D 7/16" Hex
11/16" Hex



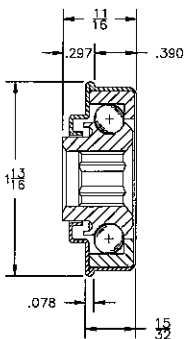
#17-LL 7/16" Hex



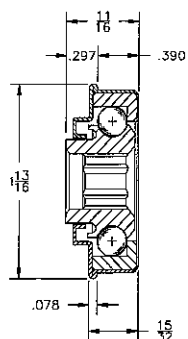
#17-PL

Additional Information For 17 Series

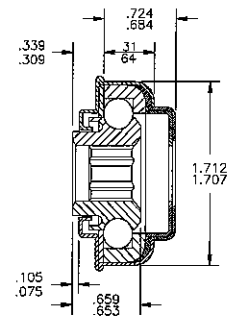
#17 D Part # 2-0041-001 17-LL Part # 2-0042-001 17-PL Part # 2-0043-001
 (12) 9/32" Balls



#20 D 7/16" Hex
Hex



#20-LL 7/16" Hex

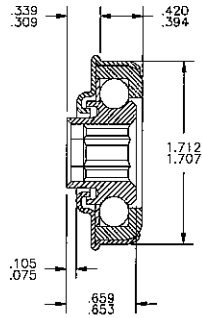


#20-PL 11/16"

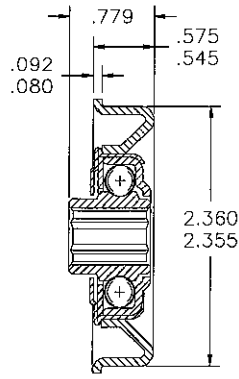
Additional Information For 20 Series

#20 D Part # 2-0041-001 20-LL Part # 2-0042-001 20-PL Part # 2-0043-001
 (12) 9/32" Balls

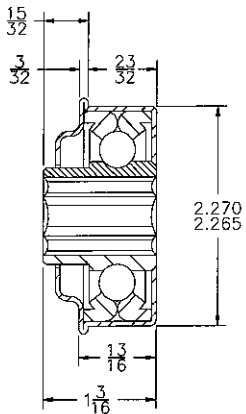
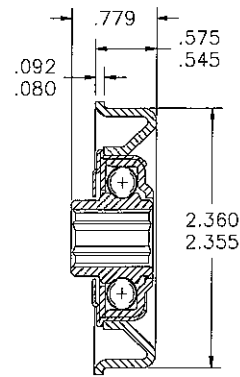
***NOTE:** This Drawing Indicates Basic Bearing Configurations. Contact Louisville Office For Certified Dimensions.



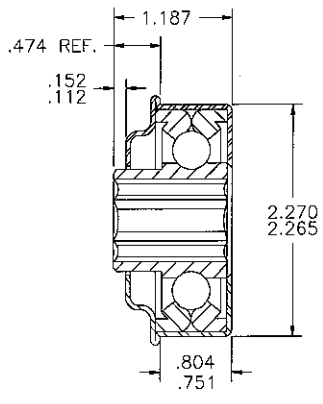
#21-LL 1-7/16" Hex
Additional Information For 21 Series Brgs
 #21-LL Part # 2-0040-001
 (12) 9/32" Balls
Capacity 150 Lbs.



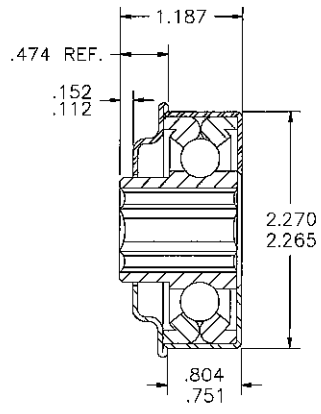
#15-D 1-1/4" Hex
Additional Information For 15 Series Brgs
 #15-D Part # 2-0049-001
#15-LL 1-1/4" Hex
Additional Information For 15 Series Brgs
 #15-LL Part # 2-0050-001
 (11) 9/32" Balls with 3137 Adaptor
Capacity 135 Lbs.



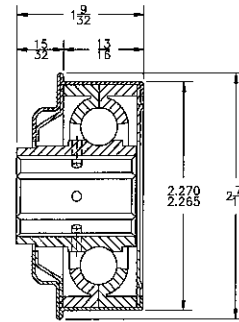
#11 11/16" Hex



#11-D 11/16" Hex

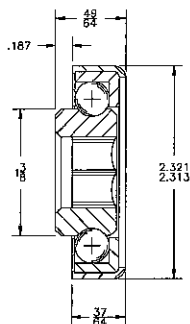


#11-LL 11/16" Hex

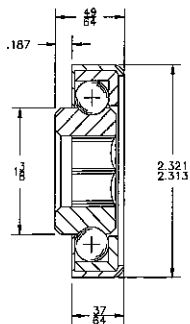


#11-PL 11/16" Hex

Additional Information For 11 Series
 #11 Part # 2-0019-001 #11-D Part # 2-0052-001 #11-LL Part # 2-0054-001 #11-PL Part # 2-0020-001
 (11) 3/8" Balls
Capacity 300 Lbs.

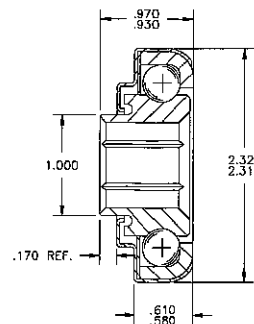


#13 11/16" Hex

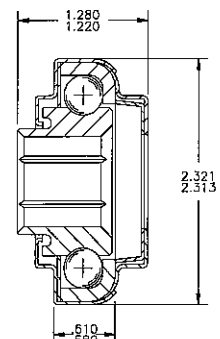


#13-D 11/16" Hex

Additional Information For 13 Series
 #13 Part # 2-0066-001 #13-D Part # 2-0068-001
 (13) 3/8" Balls
Capacity 300 Lbs.



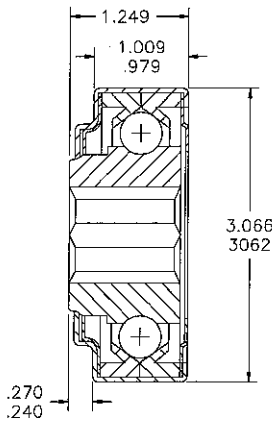
#14-LL 11/16" Hex



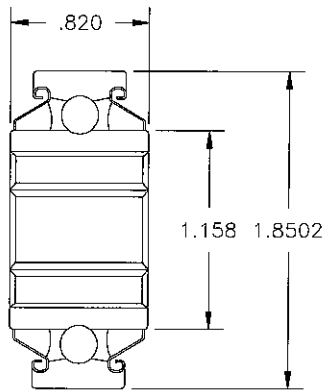
#14-PL 11/16" Hex

Additional Information For 14 Series Brgs
 #14-LL Part # 2-0070-001 #14-PL Part # 2-0072-001
 (13) 3/8" Balls

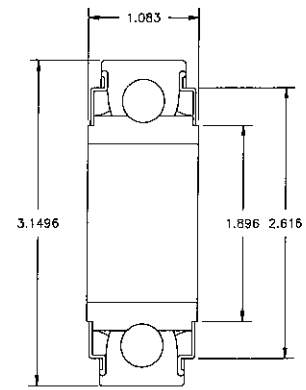
*NOTE: This Drawing Indicates Basic Bearing Configurations. Contact Louisville Office For Certified Dimensions.



#3087 1" Hex
Additional Information For 3087 Series Brgs
 #3087 Part #2-3087-001
 (15) 7/16" Balls
Capacity 520 Lbs.

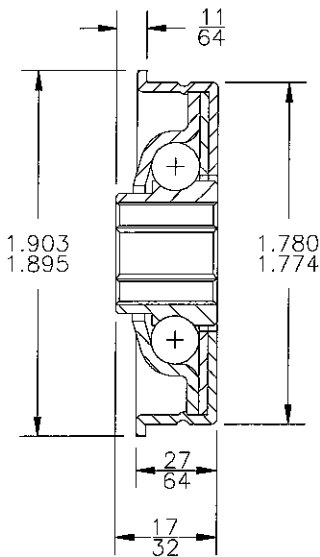


#88120 1-1/4" Hex
Additional Information For 88120 Series Brgs
 #88120 Part# 2-0012-001
Capacity 1,200 Lbs.

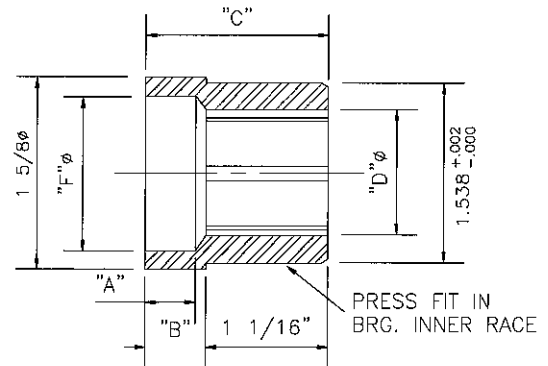
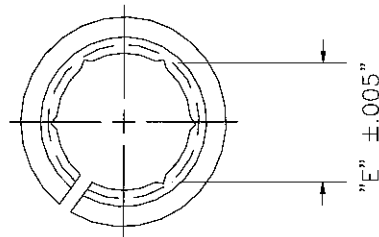


#88128 1-1/4" Hex
Additional Information For 88128 Series Brgs
 #88128 Part# 2-0013-001
Capacity 3,000 Lbs.

HEX INSERTS



#1005 1-1/4" Hex
Additional Information For 1005 Series Brgs
 #1005 Part# 2-0021-001
 (11) 1/4" Balls
Capacity 100 Lbs.



Part #	A	B	C	D	E	F
4-0015-001	7/16"	17/32"	1-19/32"	1-1/16"	1.040"	1-5/16"
4-0015-002	5/32"	3/16"	1 1/4"	1 1/16"	1.040"	1 5/16"
4-0015-003	7/16"	17/32"	1-19/32"	1-1/8"	1.0875"	1-3/8"
4-0015-004	5/32"	3/16"	1 1/4"	1 1/8"	1.0875"	1 3/8"

*NOTE: This Drawing Indicates Basic Bearing Configurations. Contact Louisville Office For Certified Dimensions.

Ball Transfers

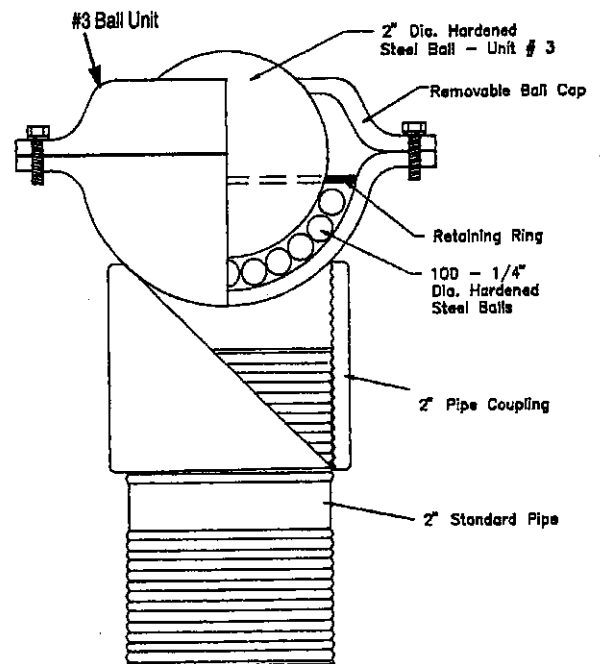
Ball Transfers are used where packages must be transferred at right angles without turning the package, or where it is desired to turn packages without lifting.

The 1-C Ball Unit consists of a 1" Diameter hardened steel ball, which rotates on a bed of hardened steel balls. These are enclosed in a steel housing which is made as dust proof as practical. The I-C Ball Unit has a working capacity of 50#.

The 1-B and 2-B Ball Units are basically the same as the I-C unit, except they use 1 1/8" and 1 1/2" diameter balls, respectively, and have capacities of 75# and 100# per unit.

A ball transfer units can be furnished separately, to be installed in any type of supporting plate. The 1-C and 1-B Ball Units can be provided in Ball Transfer modules, a 2 1/2" x 1" x 12 gauge channel supporting member with the ball units mounted on 2", 3" or 4" centers. Available for conveyors in widths of F = 14 1/4", 20 1/4" or 26 1/4", the module can be mounted directly into the shaft holes for 1.9" diameter rollers, and the top of ball elevation and the top of roller elevation will be identical.

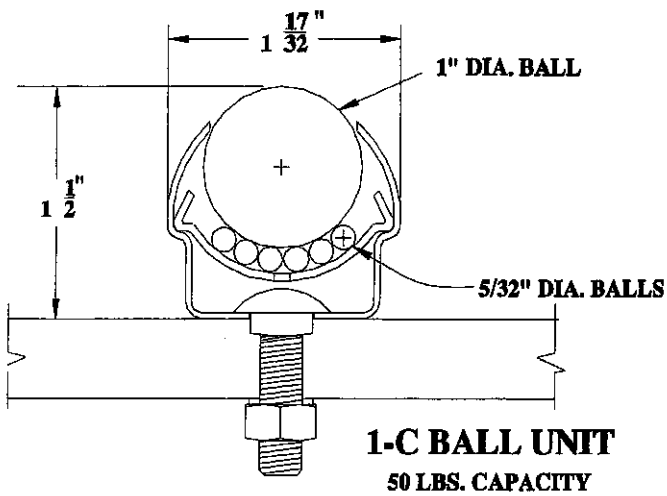
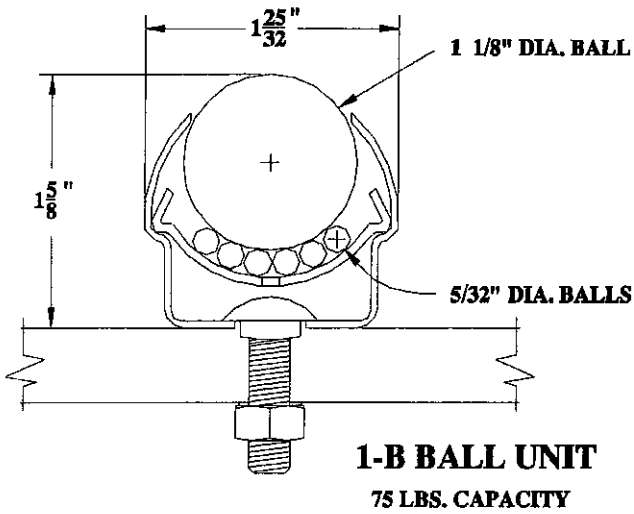
The smallest package handled determines the ball transfer module centers required. For stability of the package, there should be a minimum of nine ball units beneath the package at all times. The maximum capacity of the ball transfer module will vary with respect to the size and spacing of the ball units, however, this capacity cannot exceed 300 lbs. the maximum capacity of the supporting member. In addition the capacity of the conveyor frame must also be considered.



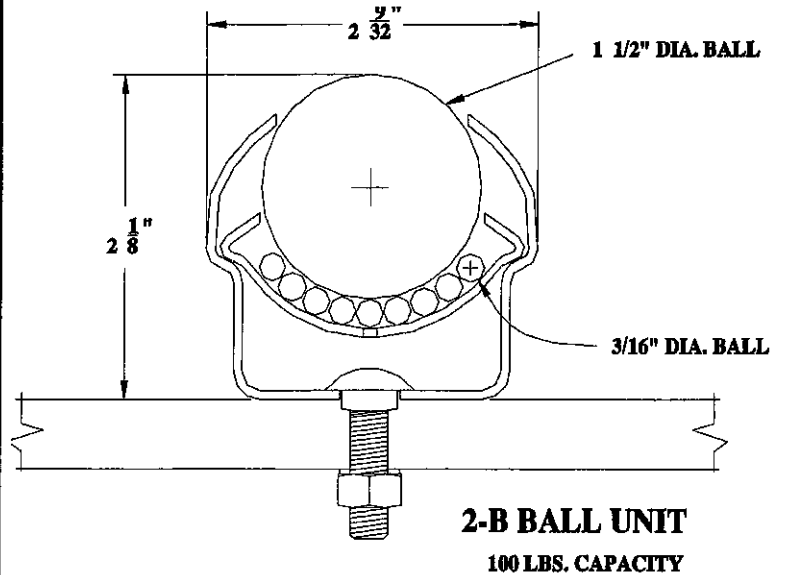
PURCHASING DESCRIPTION

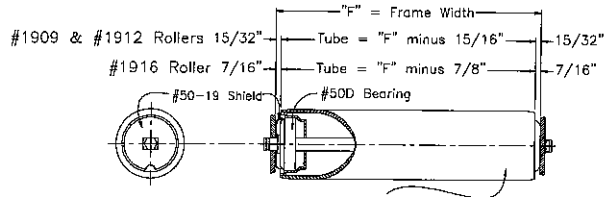
General form for Ball Units only: Ball Transfer Unit
(designated BTU)/Type Ball Unit. (Example: BTU - IC)

General form for Ball Transfer Module: Ball Transfer Module
(designated BTM)/Type of Ball Units/Ball Unit Centers / 'F'
Dimension. (Example: BTM - 1B - 3" -14 1/4")

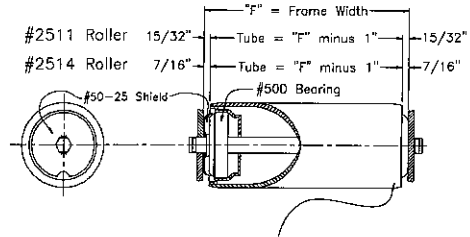


Note: This Drawing Indicates Basic Ball unit Configurations. Contact Louisville Office for Certified Dimensions.

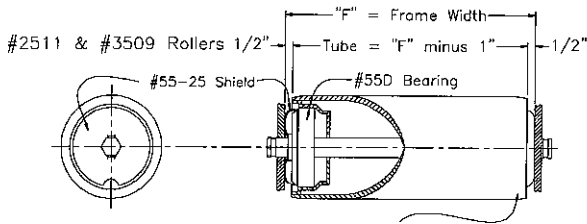




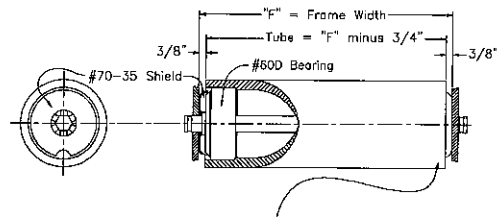
**1.9" O.D. X #9 GA. Tube, or
1.9" O.D. X #12 GA. or 16GA.
Rollers #1909-50SD, #1912-50SD,
& #1916-50SD**



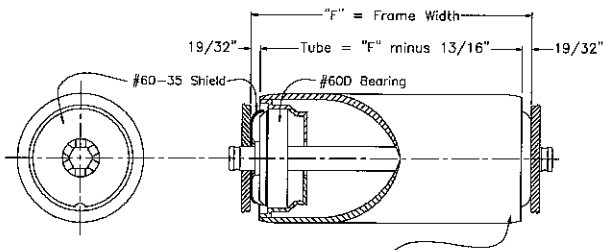
**2 1/2" O.D. X #11 GA. Tube, or
2 1/2" O.D. X #14 GA. Tube
Rollers #2511-50SD, & #2514-50SD,**



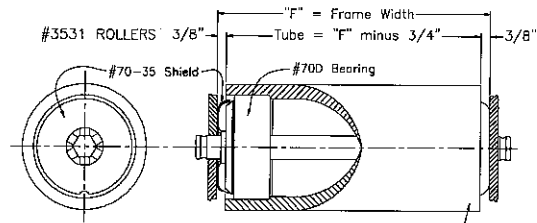
**2 1/2" O.D. X #11 GA. Tube, or
3 1/2" O.D. X #9 GA. Tube
Rollers #2511-55SD, & #3509-55SD,**



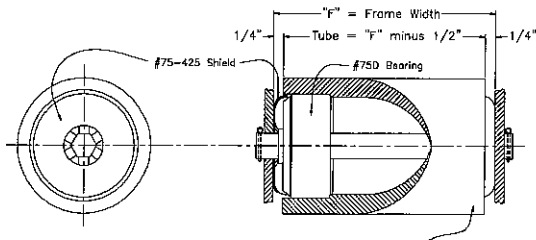
**2 9/16" O.D. X #7 GA. Tube
Rollers #2607-60SD, & #2607-13SD,**



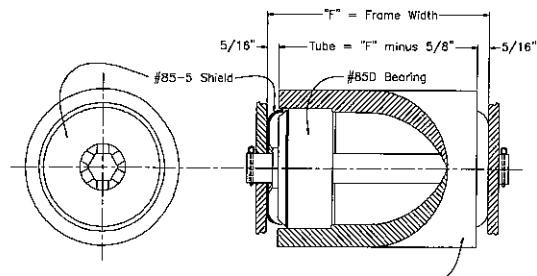
**3 1/2" O.D. X #9 GA. Tube
Rollers #3509-60SD**



**3 1/2" O.D. X .300 Wall Tube
Rollers #3531-70SD**



**4 1/4" O.D. X 1/2" Wall Tube
Rollers #4350-75SD**



**5" O.D. X .710 Wall Tube
Rollers #5071-85SD**

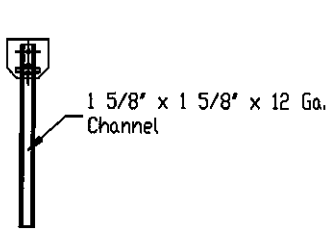
*NOTE: This Drawing Indicates Basic Bearing Configurations. Contact Louisville Office For Certified Dimensions.

SUPPORTS & ACCESSORIES

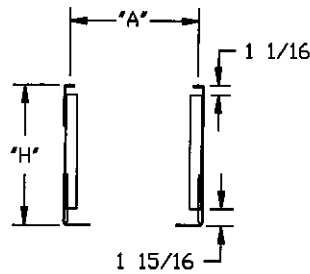
Rollertech conveyor supports are available for every conveyor application.

This section details Single Leg Supports for use on the outside rail of a 90° curve, and also a complete line of light, medium and heavy duty Stationary Supports.

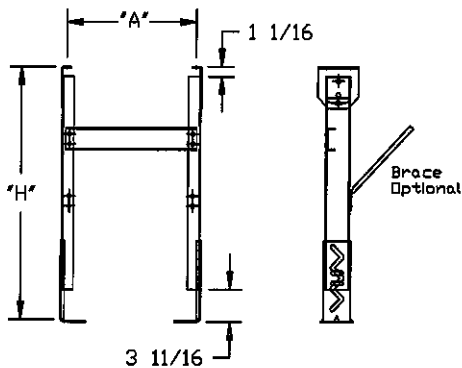
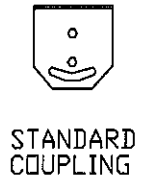
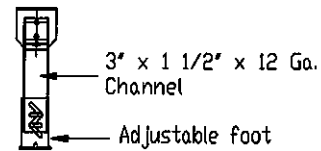
Caster mounted Portable Supports are available for loads up to 1600 lbs. per support.



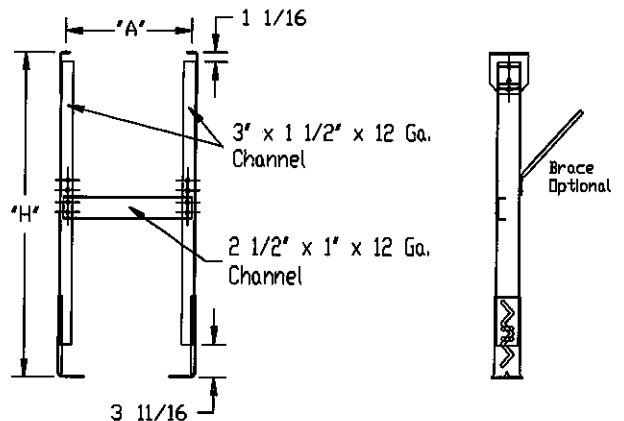
MODEL 301-Y1



MODEL YSP-2 Thru YSP-4



MODEL YSP-5 Thru YSP-8



MODEL YSP-9 Thru YSP-12

MODE L NO.	"H" Min.	"H" Max.
YSP-1	6 1/4"	10 3/4"
YSP-2	10 13/16"	13 3/16"
YSP-3	12 1/16"	14 7/16"
YSP-4	13 9/16"	15 15/16"
YSP-5	14"	20"
YSP-6	18"	24"
YSP-7	22"	28"
YSP-8	26"	32"
YSP-9	30"	36"
YSP-10	34"	40"
YSP-11	38"	44"
YSP-12	42"	48"
YSP-13*	48"	60"
YSP-14*	60"	72"

CLASS YSP STATIONARY SUPPORTS

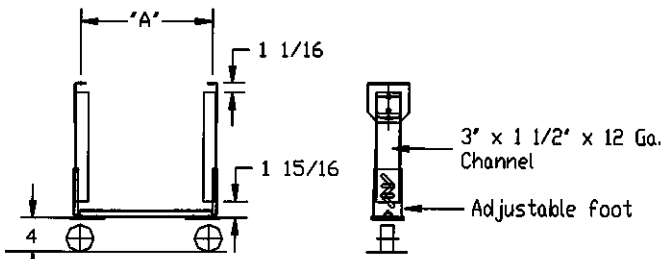
CAPACITY 1500 LBS.

The "A" dimension is a function of the Frame Width and the type of conveyor frame being used. Be sure to provide complete information so the holes in the support match the holes in the bottom of the conveyor frame.

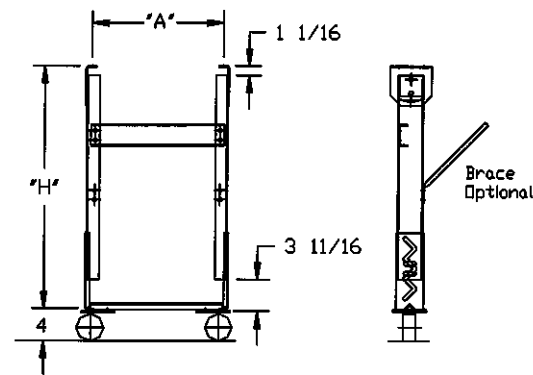
ORDERING

YSP/Size No./Frame Style No./Frame Width

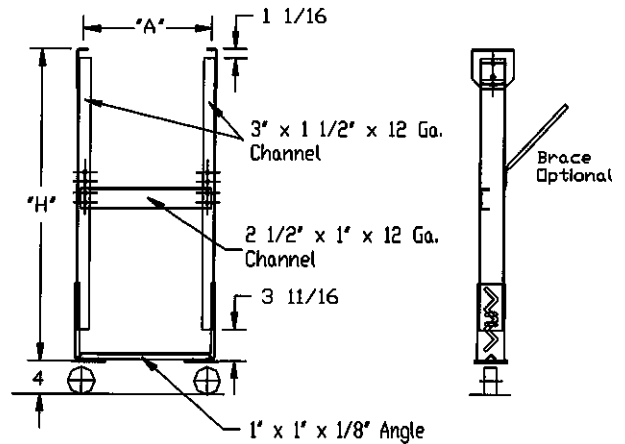
> Frame Width Measurement = Inside Frame to Inside frame <



MODEL YSP-2P6 Thru YSP-4P6



MODEL YSP-5P6 Thru YSP-8P6



MODEL YSP-9P6 Thru YSP-12P6

MODEL NO.	"H" Min.	"H" Max.
YSP-2P6	10 13/16"	13 3/16"
YSP-3P6	12 1/16"	14 7/16"
YSP-4P6	13 9/16"	15 15/16"
YSP-5P6	14"	20"
YSP-6P6	18"	24"
YSP-7P6	22"	28"
YSP-8P6	26"	32"
YSP-9P6	30"	36"
YSP-10P6	34"	40"
YSP-11P6	38"	44"
YSP-12P6	42"	48"

Note: Overall Support Height = "H" + 4"

CLASS YSP PORTABLE SUPPORTS

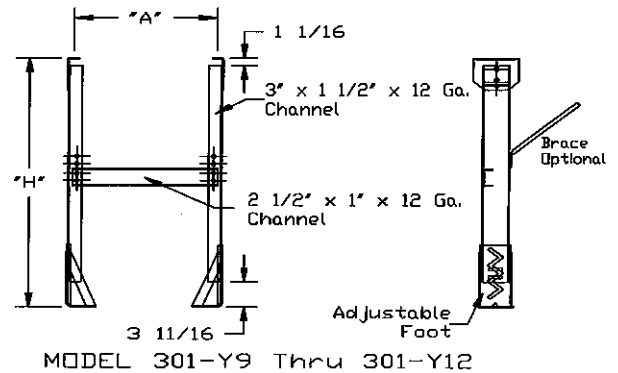
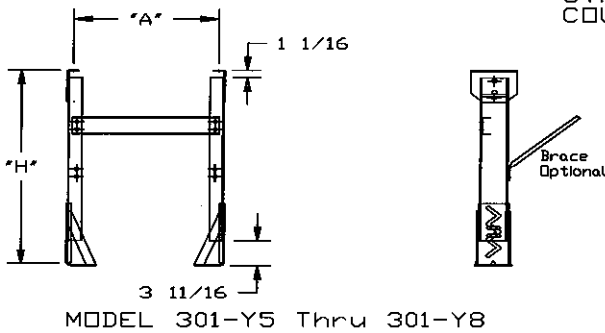
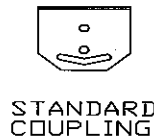
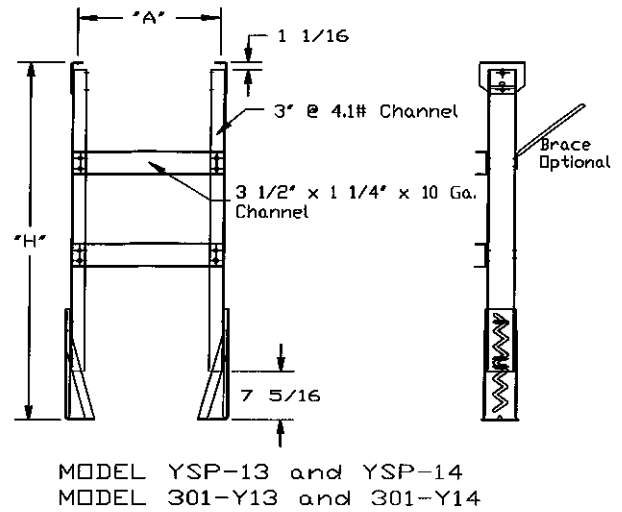
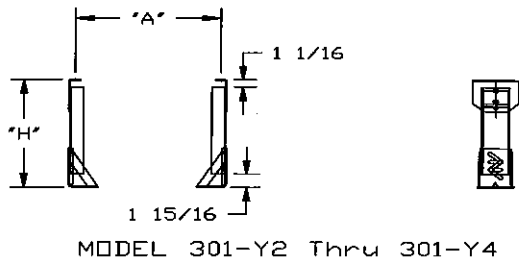
CAPACITY 600 LBS.

The "A" dimension is a function of the Frame Width and the type of conveyor frame being used. Be sure to provide complete information so the holes in the support match the holes in the bottom of the conveyor frame.

ORDERING

YSP/Size No./Frame Style No./Frame Width

> Frame Width Measurement = Inside Frame to Inside frame <



MODEL NO.	"H" Min.	"H" Max.
301-Y1*	6 1/4"	10 3/4"
301-Y2	10 13/16"	13 3/16"
301-Y3	12 1/16"	14 7/16"
301-Y4	13 9/16"	15 15/16"
301-Y5	14"	20"
301-Y6	18"	24"
301-Y7	22"	28"
301-Y8	26"	32"
301-Y9	30"	36"
301-Y10	34"	40"
301-Y11	38"	44"
301-Y12	42"	48"
301-Y13	48"	60"
301-Y14	60"	72"

CLASS 301 Y STATIONARY SUPPORTS

CAPACITY 2500 LBS.

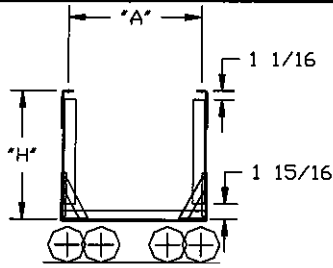
The "A" dimension is a function of the Frame Width and the type of conveyor frame being used. Be sure to provide complete information so the holes in the support match the holes in the bottom of the conveyor frame.

ORDERING

For 301-Y1 thru 301-Y4:
301-Y/Size No. (e.g. 1, 2, 3 or 4)

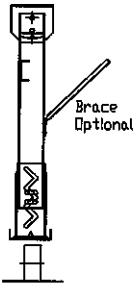
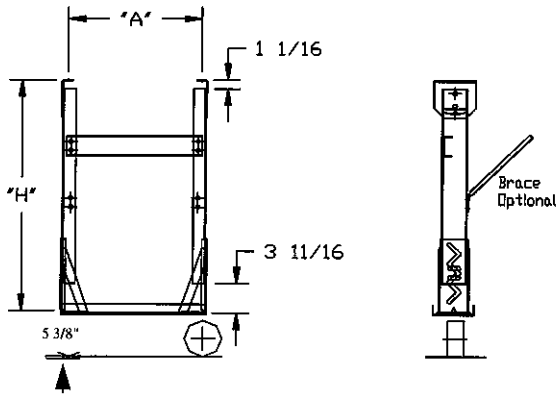
For 301-Y% thru 301-Y14:
301-Y/Size No./Frame Style No./Frame Width

> Frame Width Measurement = Inside Frame to Inside frame <

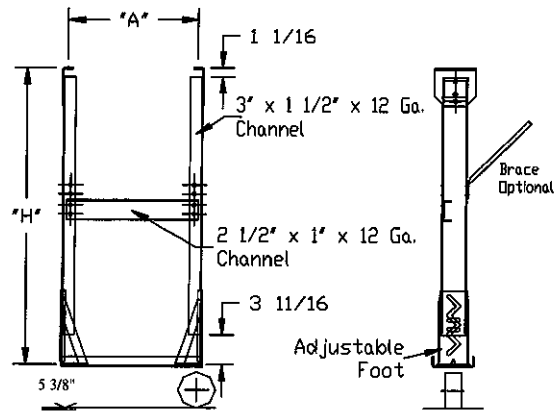


STANDARD
COUPLING

MODEL 301-Y2P9 Thru 301-Y4P9



MODEL 301-Y5P9 Thru 301-Y8P9



MODEL 301-Y9P9 Thru 301-Y12P9

MODEL	"H" Min.	"H" Max.
301-Y2P9	10 13/16"	13 3/16"
301-Y3P9	12 1/16"	14 7/16"
301-Y4P9	13 9/16"	15 15/16"
301-Y5P9	14"	20"
301-Y6P9	18"	24"
301-Y7P9	22"	28"
301-Y8P9	26"	32"
301-Y9P9	30"	36"
301-Y10P9	34"	40"
301-Y11P9	38"	44"
301-Y12P9	42"	48"

Note: Overall Support Height = "H" + 5 3/8"

CLASS 301 Y PORTABLE SUPPORTS

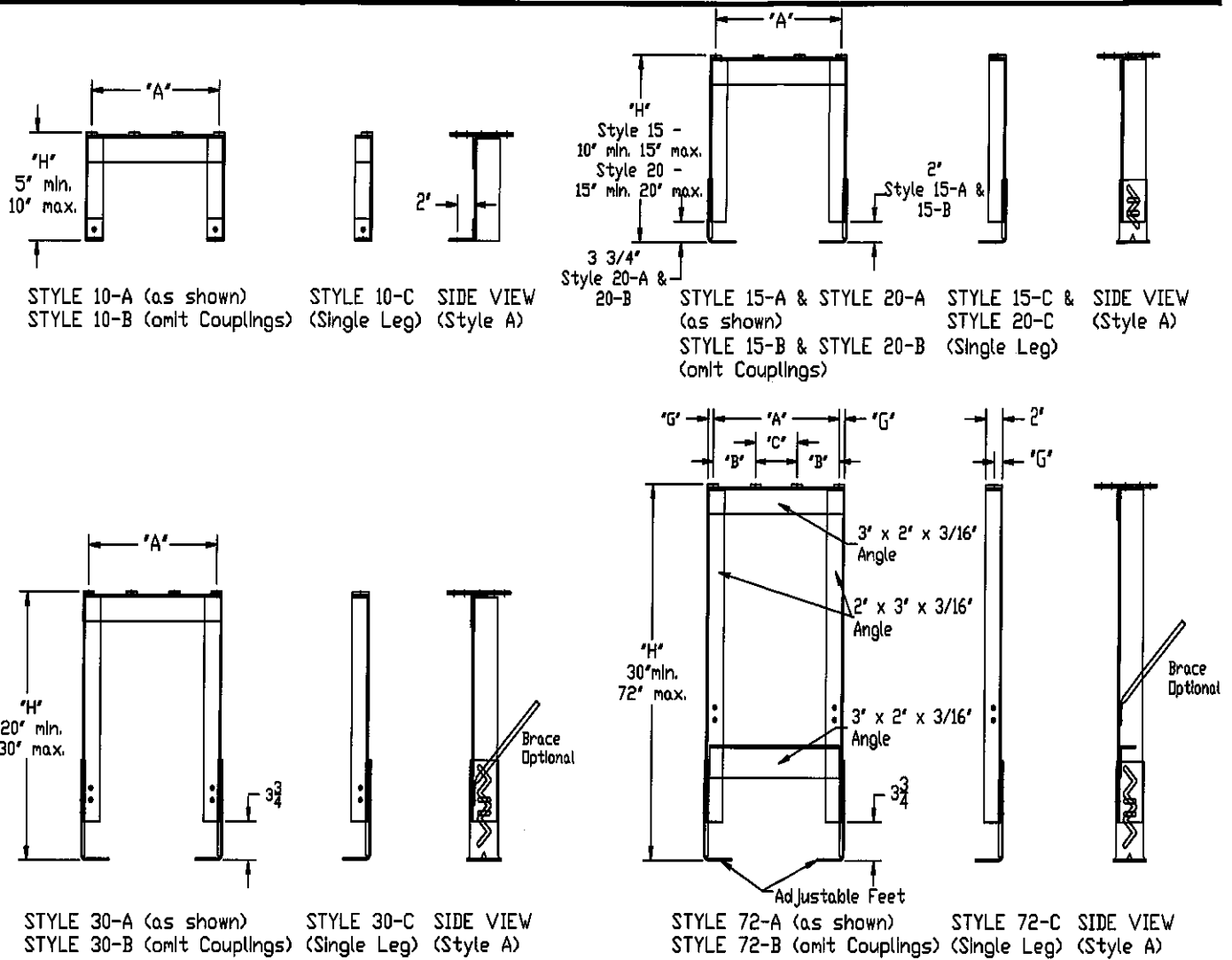
CAPACITY 900 LBS.

The "A" dimension is a function of the Frame Width and the type of conveyor frame being used. Be sure to provide complete information so the holes in the support match the holes in the bottom of the conveyor frame.

ORDERING

301-Y/Size No. (P9)/Frame Style No.
(Inboard Mounted Casters will be provided unless "OUTBOARD" is specified in Model No.)

> Frame Width Measurement = Inside Frame to Inside frame <



CLASS 200 STATIONARY SUPPORTS

CAPACITY 1500 LBS.

Class 200 Supports are custom manufactured to order at the specified mean height.

ORDERING

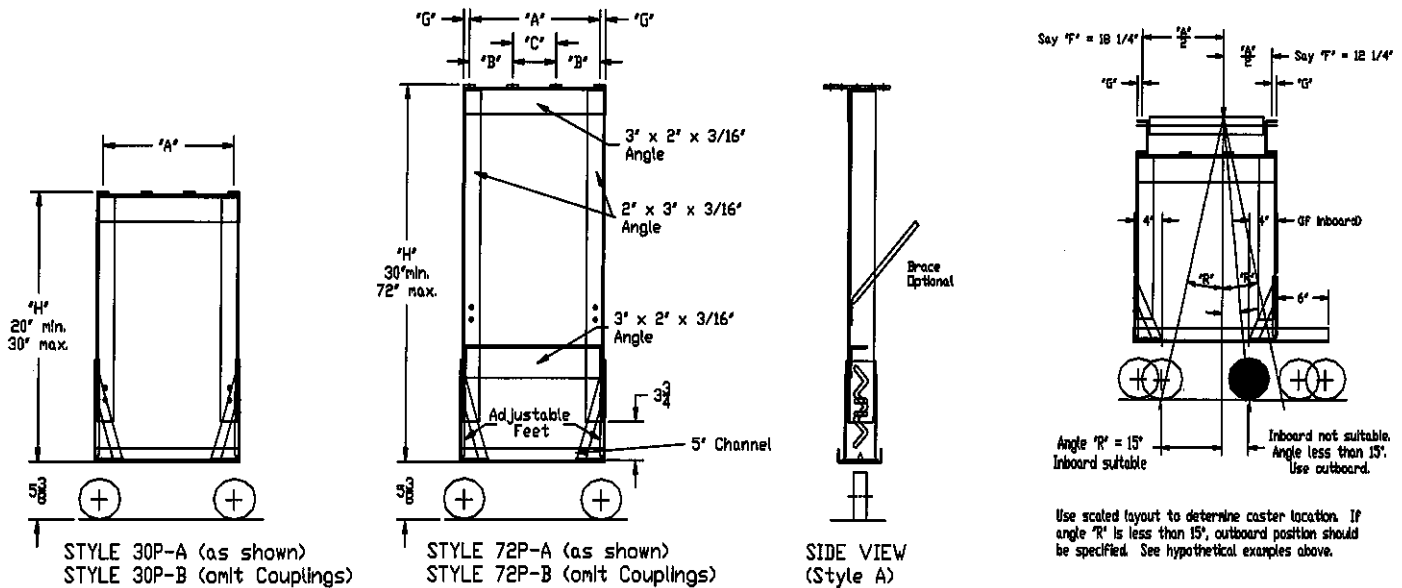
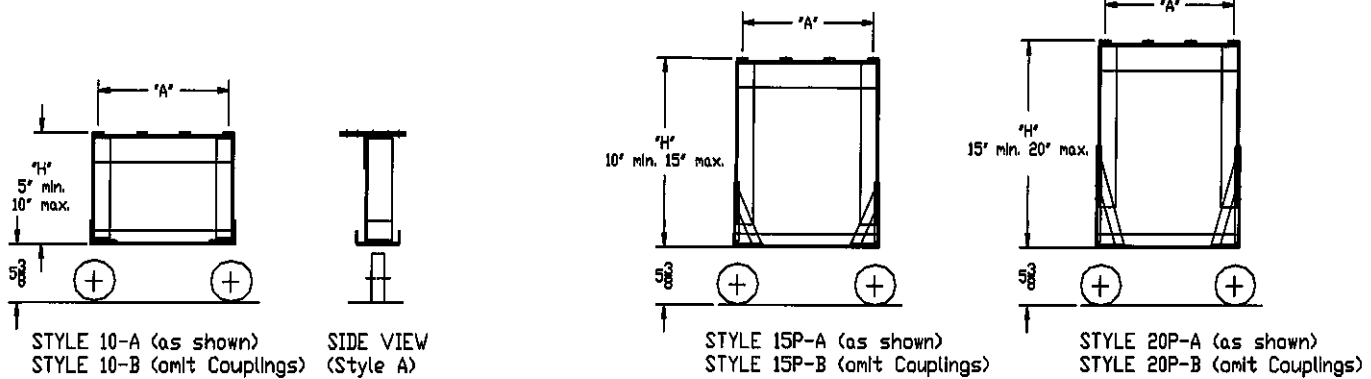
Specify 200 Supports, Style No. and the following:

For single lane conveyor (2 rails) : "H", "G" and "A".

For double lane conveyor (4 rails) : "H", "G", "A", "B", "C" and "D".

For differential conveyor (3 rails) : "H", "G", "A", "B" and "C".

> Frame Width Measurement = Inside Frame to Inside Frame <



CLASS 200 PORTABLE SUPPORTS

CAPACITY 900 LBS.

Class 200 Portable Supports are custom manufactured to order at the specified height.

ORDERING

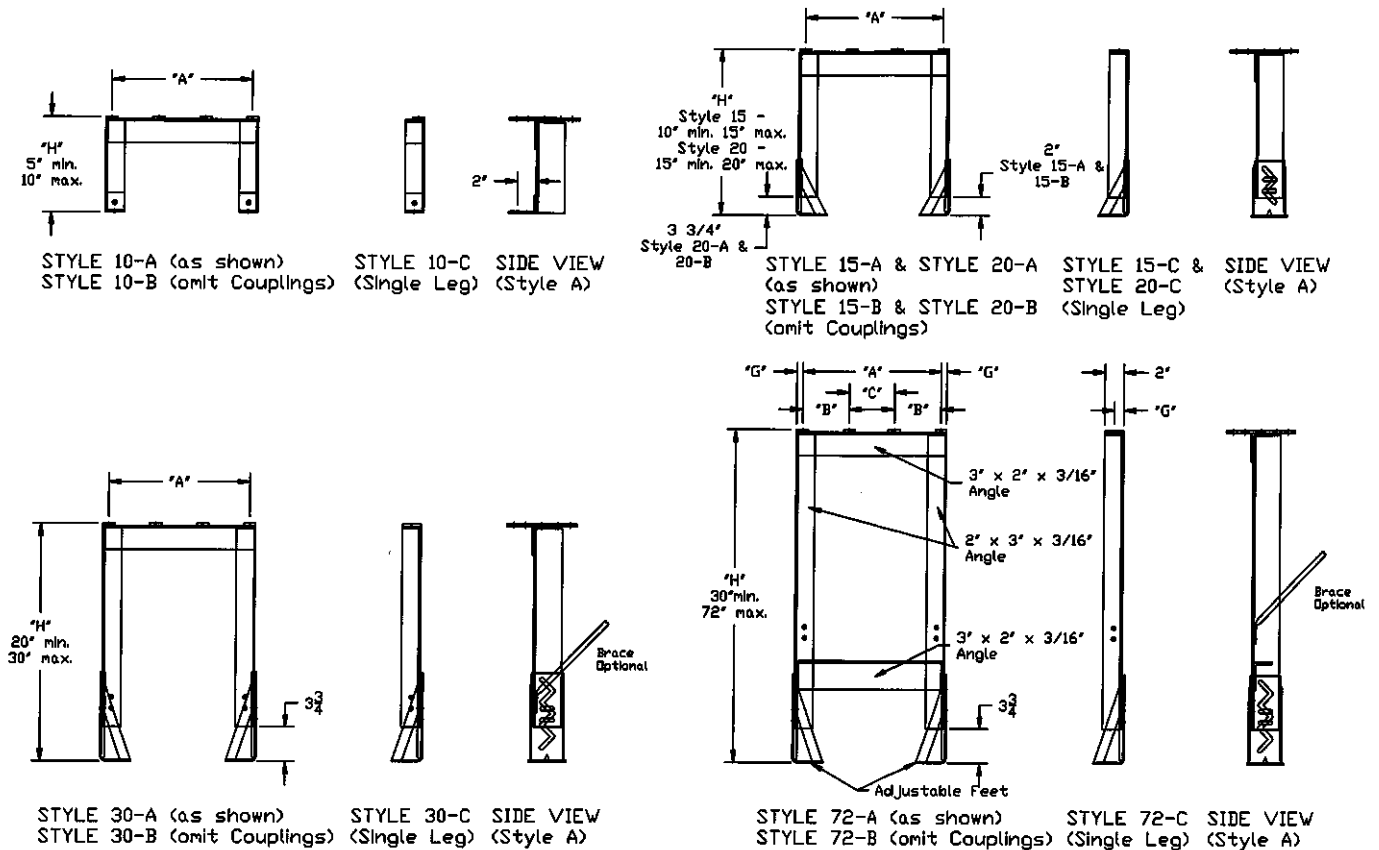
(Inboard Mounted Casters will be provided unless "OUTBOARD" is specified in Style No.) Specify 200 Portable Supports, Style No. and the following:

For single lane conveyor (2 rails) : "H", "G" and "A".

For double lane conveyor (4 rails) : "H", "G", "A", "B", "C" and "D".

For differential conveyor (3 rails) : "H", "G", "A", "B" and "C".

> Frame Width Measurement = Inside Frame to Inside Frame <



CLASS 300 STATIONARY SUPPORTS

CAPACITY 2500 LBS.

Class 300 Portable Supports are custom manufactured to order at the specified height.

ORDERING

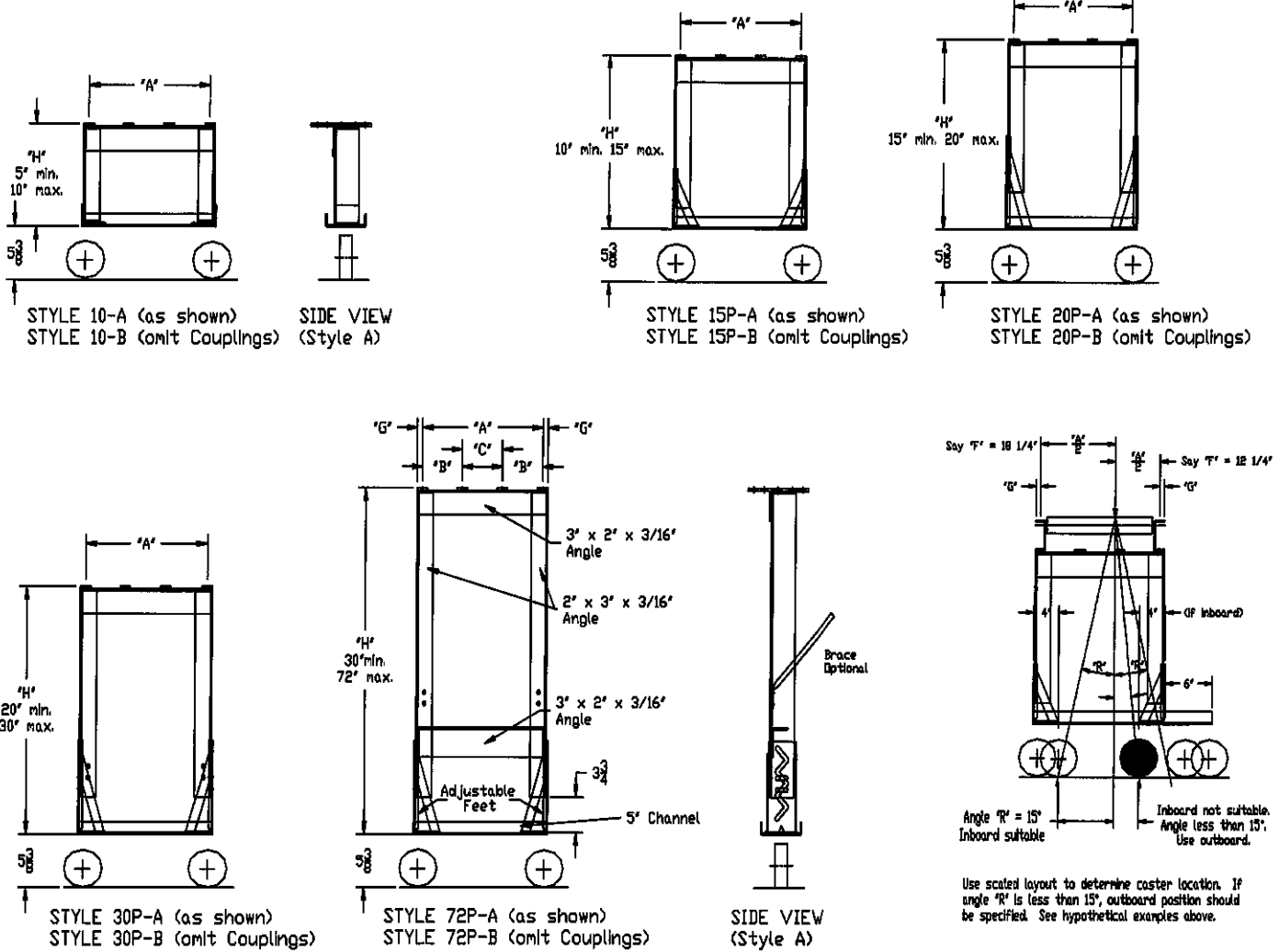
Specify 300 Portable Supports, Style No. and the following:

For single lane conveyor (2 rails): "H", "G" and "A".

For double lane conveyor (4 rails): "H", "G", "A", "B", "C" and "D".

For differential conveyor (3 rails): "H", "G", "A", "B" and "C".

> **Frame Width Measurement = Inside Frame to Inside Frame** <



CLASS 300 PORTABLE SUPPORTS

CAPACITY 1600 LBS.

Class 300 Portable Supports are custom manufactured to order at the specified height.

ORDERING

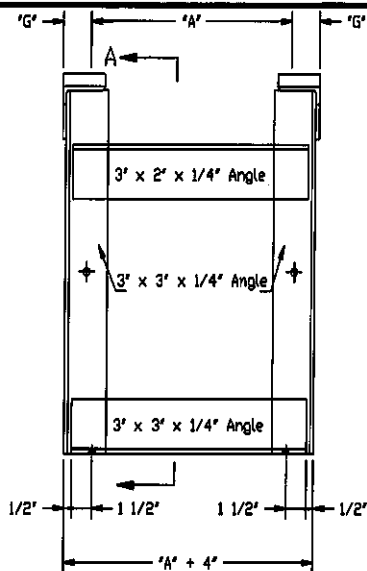
(Inboard Mounted Casters will be provided unless "OUTBOARD" is specified in Style No.) Specify 300 Portable Supports, Style No. and the following:

For single lane conveyor (2 rails) : "H", "G" and "A".

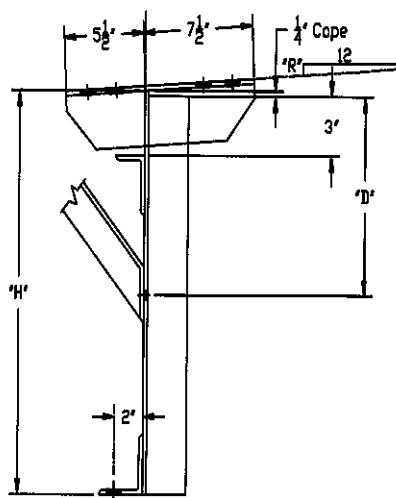
For double lane conveyor (4 rails) : "H", "G", "A", "B", "C" and "D".

For differential conveyor (3 rails) : "H", "G", "A", "B" and "C".

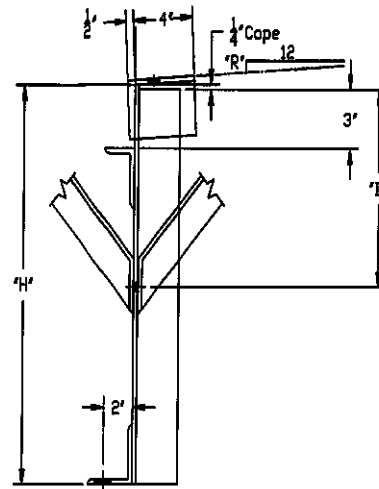
> Frame Width Measurement = Inside Frame to Inside Frame <



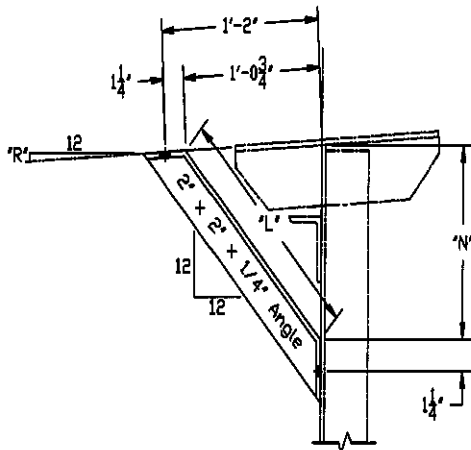
FRONT VIEW OF SUPPORT
"G" dimension - Minimum 1 1/2",
Maximum 2"



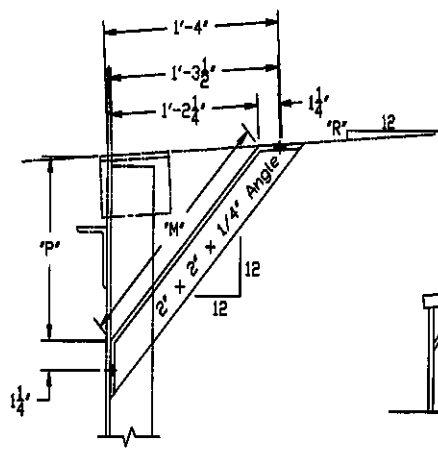
SECTION A-A (Style A)



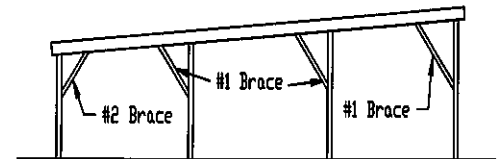
SECTION A-A (Style B)



#1 BRACE (Low Side)



#2 BRACE (High Side)



TYPICAL CONVEYOR PROFILE

CLASS 400 STATIONARY SUPPORTS

CAPACITY 5000 LBS.

Class 400 Supports are custom manufactured to order at the specified mean height.

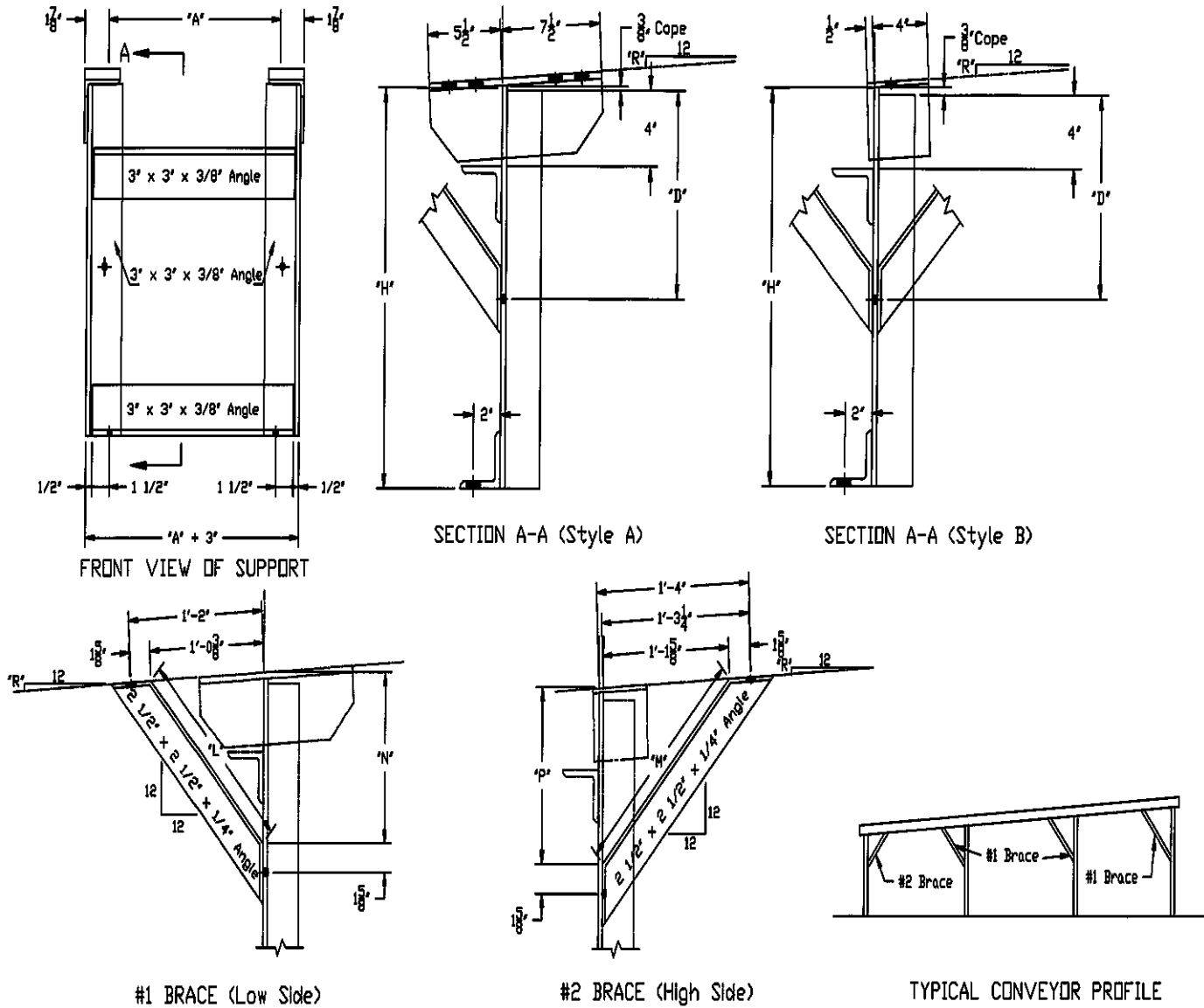
ORDERING

Specify 400 Supports, Style No. (A couples two conveyor sections together, B supports mid-span) and provide the dimensional data for "A", "G", "H" and "R" ("R"=0 if conveyor is level.

Braces are omitted on

supports lower than 2'-0".

> Frame Width Measurement = Inside Frame to Inside Frame <



**CLASS 500 STATIONARY
SUPPORTS**

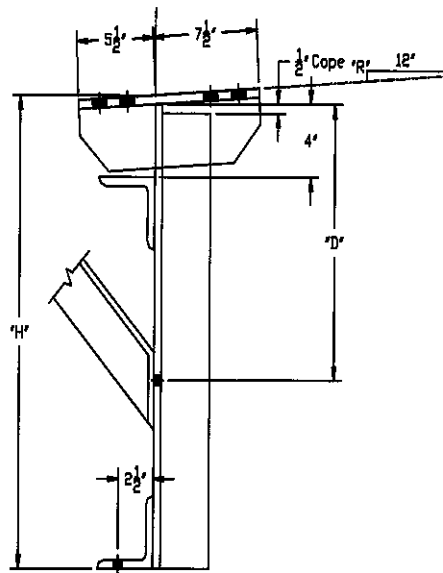
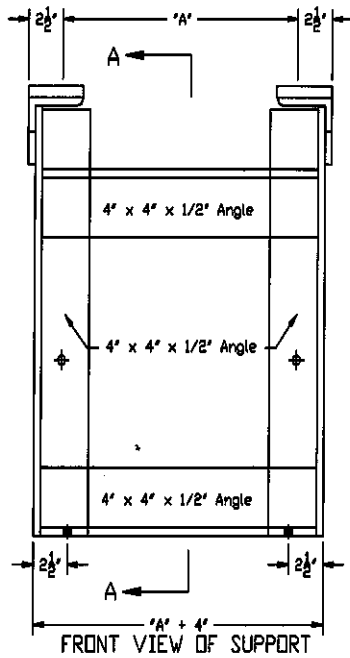
CAPACITY 12,500 LBS.

Class 500 Supports are custom manufactured to order at the specified mean height.

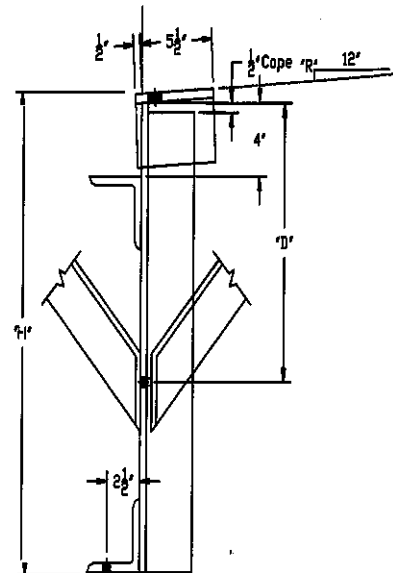
ORDERING

Specify 500 Supports, Style No. (A couples two conveyor sections together, B supports mid-span) and provide the dimensional data for "A", "G", "H" and "R" ("R"=0 if conveyor is level). Braces are omitted on supports lower than 2'-0".

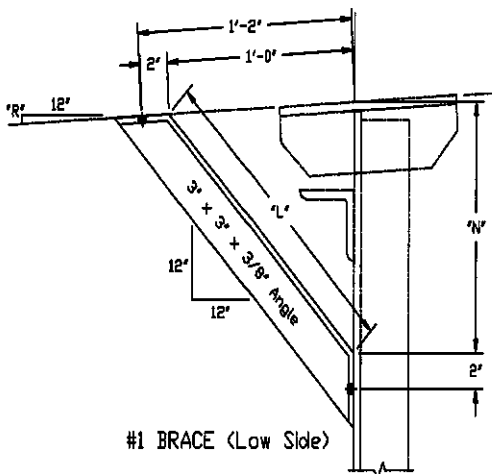
> Frame Width Measurement = Inside Frame to Inside Frame <



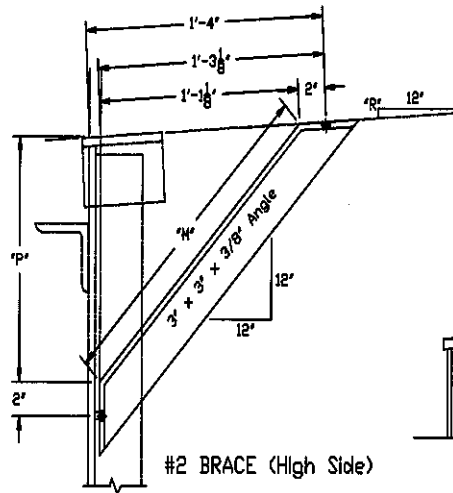
SECTION A-A (Style A)



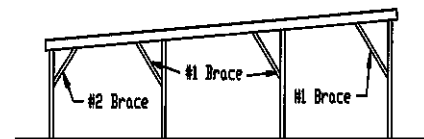
SECTION A-A (Style B)



#1 BRACE (Low Side)



#2 BRACE (High Side)



TYPICAL CONVEYOR PROFILE

CLASS 600 STATIONARY SUPPORTS

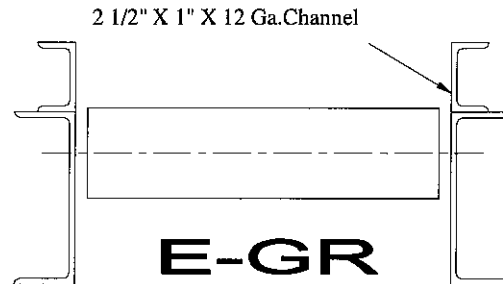
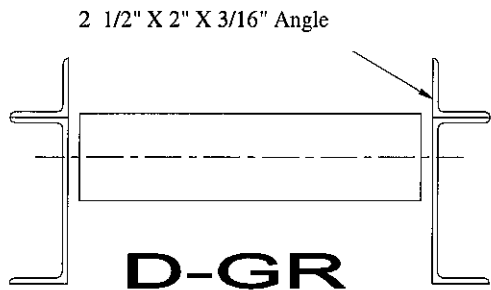
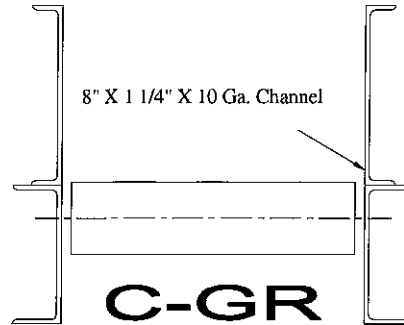
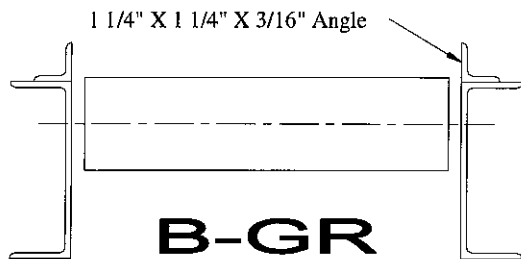
CAPACITY 25,000 LBS.

Class 600 Supports are custom manufactured to order at the specified mean height.

ORDERING

Specify 600 Supports, Style No. (A couples two conveyor sections together, B supports mid-span) and provide the dimensional data for "A", "G", "H" and "R" ("R"=0 if conveyor is level) Braces are omitted on supports lower than 2'-0".

> Frame Width Measurement = Inside Frame to Inside Frame <



GUARD RAILS

The primary function for guard rails is to keep a package on the conveyor. when conveying overhead, above work areas or personnel access ways, a guard rail is recommended to protect personnel.

Guard rails are available in adjustable and fixed styles for light and medium duty applications. All styles are available in 5' and 10' straight sections, 30 degrees, 45 degrees, 90 degrees and 180 degree curves; 30/60 degree curves; and vertical curves.

ORDERING

General form: straight rail: Model / Length (example: AGR-10)

Curve Outside Rail: Model / Outside (O) / "F" Dim. / Degree of Curve (example: AGR - 0 - 26 1/4" - 45)

Curve Inside Rail: Model / Inside (I) / Degree of Curve (example): AGR - 1 - 45)